



**Your partner
for ward equipment.**



A Sense of Company

With more than 90 years of experience, SCHMITZ is one of the leading international manufacturers of medical products.

A family-owned business with a living tradition. Our typical employee has been with the company for some 18 years, proof of how strongly they identify with our values and philosophy.

In 2012, the company's management passed to Friedrich and Matthias Schmitz, the fourth generation of the family.

We are proud to be located in Germany and are deeply rooted in our home region. We develop and manufacture here.

90% of our suppliers are from Germany, of which 60% are from the local region.

Made in Germany



'The transition to the next generation is always something special.'



A Sense of Care

We understand the services which are our lifeblood, and aim to achieve maximum customer satisfaction. From consulting through planning to installation.

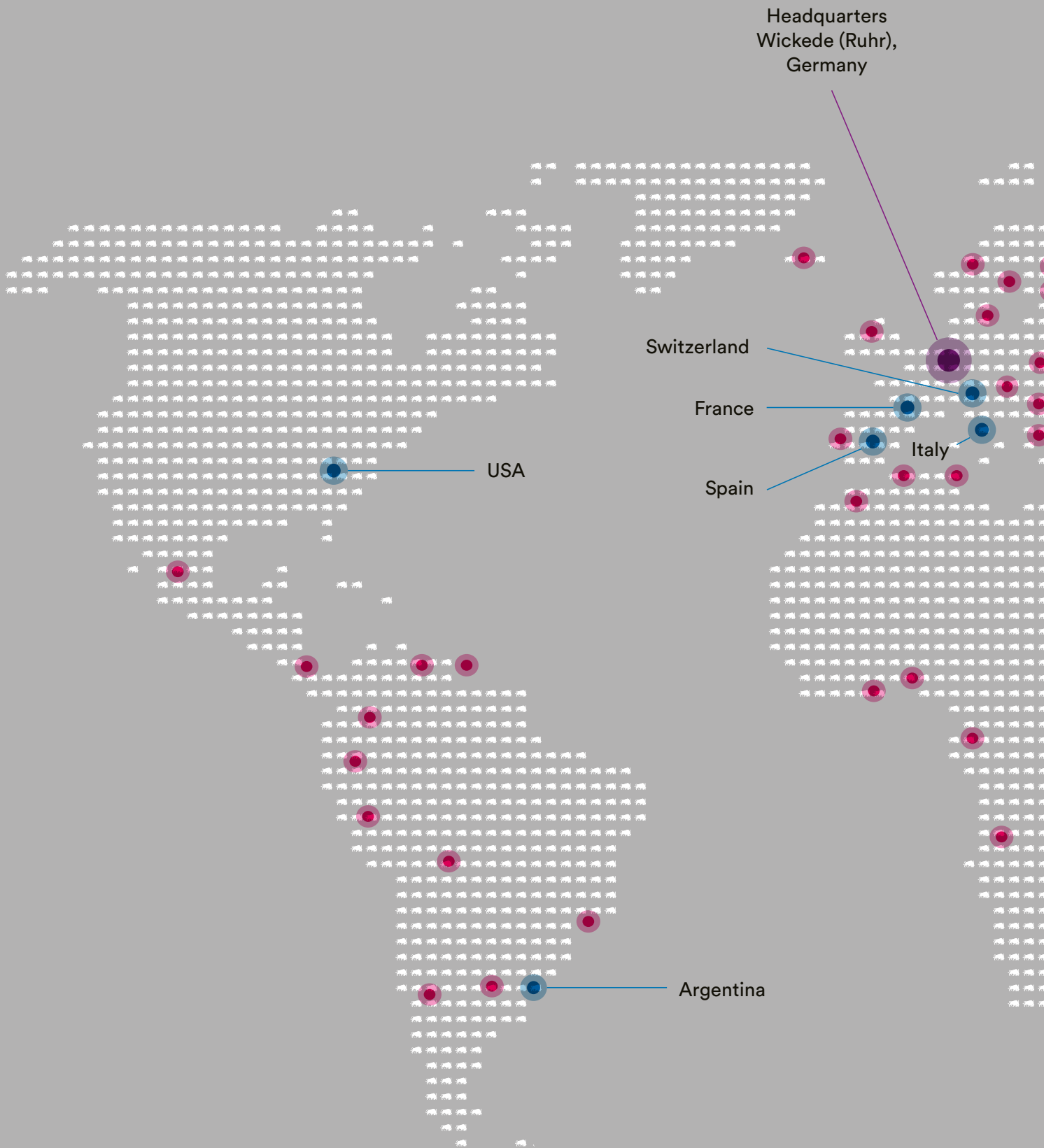
Cost-effectiveness through longevity is what you can expect from us.

With a well thought-out service concept and comprehensive support, SCHMITZ works alongside you as partner from start to finish.

Technical Customer Service

T +49 (0)2377 84 549

service@schmitz-soehne.de




- Over 80 international trade partners
- Sales offices

SCHMITZ – represented worldwide







varimed® Functional trolleys

Our experts for everyday clinical practice.

SCHMITZ's market-leading functional trolleys offer the perfect assistance for everyday clinical practice.

Hardwearing and flexible – varimed® functional trolleys are used in almost every German clinic.

As individual as your requirements

Our colour and configuration concept guarantees ideally matched design options.

Hygiene taken a step further

Removable panels and closed surfaces enable rapid, complete and simple cleaning – a cleaning standard redefined by SCHMITZ.

Optimal organisation

A customised range of options ensures systems perfectly tailored to your structures – we organise your workplace.

Perfect hygiene standard

Nearly complete elimination of germs thanks to antimicrobial coatings – no chance for multidrug-resistant pathogens.

High flexibility

100% unrestricted mobility is guaranteed – tailored to your daily workflows.



varimed® Functional trolleys

Best practice for all areas

Always on the right track with SCHMITZ functional trolleys:

Fully equipped as dressing, treatment or emergency trolleys, anaesthesia, ward or ICU trolleys that can also be individually arranged and supplemented with diverse accessories. Many functional details and a high quality standard ensure optimum handling for every area.

Mobile and robust

- Use of high-grade materials.
- Convincing design concept.
- Closed double easy-roll castors with directional lock.

Comfort drawers

- Full pullout for an optimal view of, and access to, contents.
- Automatic pull-in function keeping the drawers closed during transportation.
- Airmatic shock absorber system for a quiet, soft and easy closing.

Optimal cleaning and hygiene

- Smooth closed surfaces.
- Hidden drawer slides.
- Removable drawer fronts.

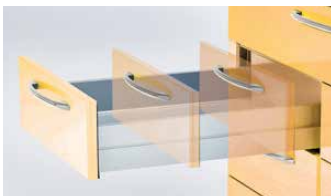
Antimicrobial coating in several shades of colour

for a continuous and long-lasting reduction of bacteria, mould and fungi colonisation.



Wall protecting wheels protect the trolleys, furniture and the walls from damage

Closed double easy-roll ball-bearing castors, non-contact marking and abrasion-free quality



Hidden drawer slides with full pullout function for optimal hygiene

Drawers with automatic pull-in function and Airmatic shock absorber system

Easy to remove front makes cleaning simple



Ergonomic guiding bar in two models:

- Straight guiding (as illustrated in this picture)
- Curved mode

The guiding bar can be fitted to the right or left side or can be left off.



Surrounding silicone sealing profile, disinfectant-proof
(Opening angle of the doors max. 125°)



Side rails 202.3000.0 for easy attachment of accessories



SST 18/10 table top cover (202.0110.0 – 202.0130.0)

varimed® Functional trolleys

Best practice for all areas

Optical and functional adjustment possible thanks to different sizes.

- Various equipment options.
- Superior accessory design.
- Various colour combinations.

Design

Successful combination of function, ergonomics and form.

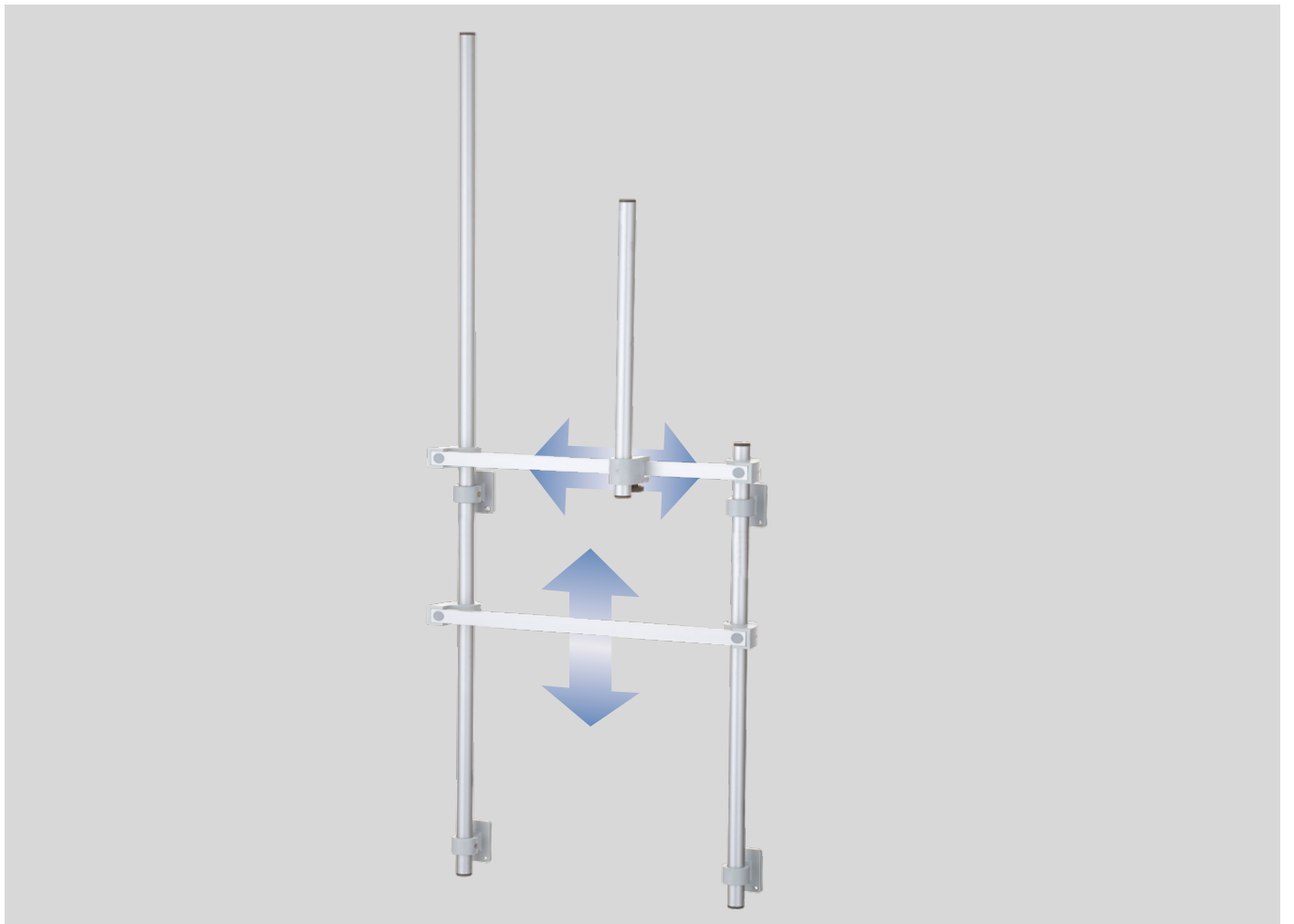


varimed®

The rail system for accessories

- Easy and fast attachment and interchange of accessories
- Suspending instead of screw-connection
- Side rails with a useful length of 460 mm –
Please observe space used by the accessory
- Functional trolleys can be equipped with
max. 3 rails on the left hand side and
max. 2 rails below the push handle

Accessories that can be fastened on the rails can be found on page 58 ff.



varimed®

The multifunctional rail system for accessories

Get inspired by the flexibility of this system and make the functional trolley serve as your optimal assistant.

A strong combination with decisive advantages:

- Simple and ergonomic attachment of accessories – vertically and horizontally adjustable.
- Saves time by optimizing and standardizing work sequences.
- Minimizes cross-contamination due to hygienic arrangement of dispensers.
- Safety due to firm and ergonomic fitting of the equipment needed at the right place.
- Use of standard accessory rails 25 × 10 mm.
- Subsequent fitting on existing trolleys.

This system and relative accessories can be found on page 70 ff.



260.0390.0

260.0023.0



260.3010.0

260.0610.0

varimed® Functional trolleys

Equipment examples

Anaesthesia trolley Model No. 260.0390.0

fully equipped as shown

- Cabinet body grey aluminium RAL 9007
- Cabinet fronts white aluminium RAL 9006
- Bar handles pastel orange RAL 2003
- Guiding bar pastel orange RAL 2003

ICU Trolley Model No. 260.0023.0

fully equipped as shown

- Cabinet body grey aluminium RAL 9007
- Cabinet fronts rape yellow RAL 1009050
- Bar handles signal yellow RAL 1003

Ward trolley Model No. 260.3010.0

Accessory: table top with 3-sided guard rail SST 18/10, model no. 202.0320.0

- Cabinet body grey white RAL 9002
- Cabinet fronts light green RAL 6027
- Bar handles grey white RAL 9002
- Guiding bar grey white RAL 9002

Dressing and treatment trolley Model No. 260.0610.0

Accessory: Accessories set, model no. 202.9720.0

- Cabinet body grey white RAL 9002
- Cabinet fronts grey aluminium RAL 9007
- Bar handles matt chromium plated
- Guiding bar grey aluminium RAL 9007



260.3050.0



260.0420.0

varimed® Functional trolleys

Equipment examples

Ward trolley Model No. 260.3050.0

- Cabinet body white aluminium RAL 9006
- Cabinet fronts pure white RAL 9010
- Bar handles white aluminium RAL 9006
- Guiding bar pure white RAL 9010

Dressing trolley Model No. 260.0420.0 **fully equipped as shown**

- Cabinet body white aluminium RAL 9006
- Cabinet fronts signal yellow RAL 1003
- Bar handles white aluminium RAL 9006
- Guiding bar signal yellow RAL 1003



260.0630.0



260.0400.0

varimed® Functional trolleys

Equipment examples

Dressing and treatment trolley Model No. 260.0630.0

Accessories: Rack for mounting accessories, model no. 205.4000.0

Accessories set, model no. 205.4010.0

Rack for mounting accessories, model no. 205.4100.0




Bracket, model no. 205.1150.0

Syringe and cannula dispenser, model no. 202.1640.0

Rack for mounting accessories, model no. 205.4200.0





Accessories set, model no. 205.4210.0

Top w/3-sided guard rail 202.0020.0

-  Cabinet body grey white RAL 9002
-  Cabinet fronts white blue RAL 2408015
-  Bar handles sapphire blue RAL 5003

Emergency trolley Model No. 260.0400.0

Accessory: integrated holder for “Weinmann“
resuscitation unit “Life Base III“, model no. 202.6860.0

-  Cabinet body grey white RAL 9002
-  Cabinet fronts grey white RAL 9002
-  Bar handles vermilion RAL 2002
-  Guiding bar vermilion RAL 2002



260.0310.0



260.0110.0



260.0330.0



260.0370.0

varimed® Functional trolleys

Equipment examples

Dressing and treatment trolley Model No. 260.0310.0

Accessories: Table top with 3-sided guard rail, model no. 202.0020.0,
Pre-heating system, model no. 202.5260.1

- Cabinet body white aluminium RAL 9006
- Cabinet fronts light blue RAL 2606030
- Bar handles white aluminium RAL 9006
- Guiding bar light blue RAL 2606030

Dressing and treatment trolley Model No. 260.0110.0

Accessory: Table top with 3-sided guard rail, model no. 202.0010.0.

- Cabinet body white aluminium RAL 9006
- Cabinet fronts grey aluminium RAL 9007
- Bar handles white aluminium RAL 9006
- Guiding bar grey aluminium RAL 9007

Dressing and treatment trolley Model No. 260.0330.0

Accessories: Table top with 3-sided guard rail, model no. 202.0020.0,
table top cover, model no. 202.0120.0,
side rail, model no. 202.3000.0

- Cabinet body white aluminium RAL 9006
- Cabinet fronts signal yellow RAL 1003
- Bar handles white aluminium RAL 9006
- Guiding bar signal yellow RAL 1003

Dressing and treatment trolley Model No. 260.0370.0

Accessory: Table top with 3-sided guard rail, model no. 202.0020.0

- Cabinet body grey white RAL 9002
- Cabinet fronts leaf green RAL 1206050
- Bar handles grey white 9002
- Guiding bar leaf green RAL 1206050



260.1210.0







260.1030.0





varimed® Functional trolleys

Equipment examples

Dressing and treatment trolley Model No. 260.1210.0

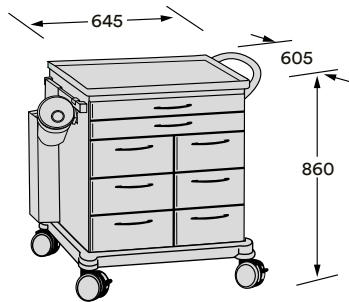
-  Cabinet body white aluminium RAL 9006
-  Cabinet fronts lemon green RAL 1008060
-  Bar handles leaf green RAL 1206050
-  Guiding bar leaf green RAL 1206050

Dressing and treatment trolley Model No. 260.1030.0

- Accessory: Table top with 3-sided guard rail, model no. 202.0030.0
-  Cabinet body grey aluminium RAL 9007
-  Cabinet fronts pastel orange RAL 2003
-  Bar handles grey aluminium RAL 9007
-  Guiding bar grey aluminium RAL 9007

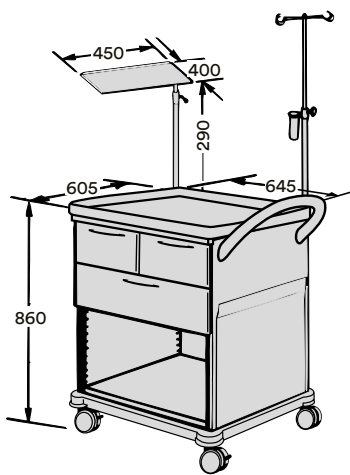
varimed®
Anaesthesia trolleys, emergency trolley
fully equipped

Model No. Description



260.0390.0 Anaesthesia trolley
 with 2 drawers type 6B and 6 drawers type 3D,
 incl. left side rail 202.3000.0, medical waste bin set with
 holder 205.1550.0 and container for catheters 200.1380.0.
 4 closed double castors \varnothing 125 mm, plastic, electro-
 conductive, ball bearing, consisting of 2 full lock-type
 castors and 1 with directional locking, silver grey frame
 cover with revolving bumpers, plastic top (silver grey)
 with profile edge, guiding bar.

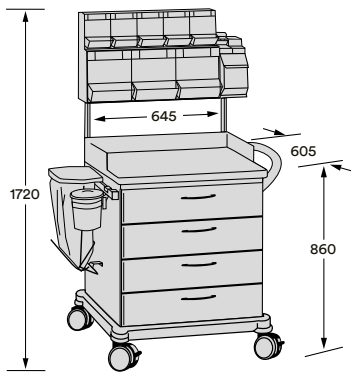
260.0350.0 Dressing and treatment trolley
 as Anaesthesia trolley 260.0390.0,
 but without the accessory package.



Model No.	Description
260.0400.0	Emergency trolley with 2 drawers type 3D and 1 drawer type 6D, below open compartment with bottom steel panel, bar handles vermilion RAL 2002, incl. right infusion rod 202.4700.0, with 4 hooks, height adjustable from 1,350 to 2,010 mm, left storage shelf 202.5110.0, swivel-type for defibrillator. 4 closed double castors Ø 125 mm, plastic, electro- conductive, ball bearing, consisting of 2 full lock-type castors and 1 with directional locking, silver grey frame cover with revolving bumpers, plastic top (silver grey) with profile edge, guiding bar.
260.0340.0	Dressing and treatment trolley as Emergency trolley 260.0400.0, but without the accessory package.
202.3000.0	Side rail
202.0011.0	Oxygen tank holder, for tanks up to 5 litres (202.3000.0 required)
202.5520.0	Lead sealing strips, 1 pair with 100 lead seals
202.5450.0	Lead seals 200 pieces, for lead sealing strips
202.5500.0	Reanimation board CEMD incl. holder, fixed to the back of trolley
202.6860.0	Holder for storage of the "Weinmann" resuscitation unit, Life Base III on carrying platform. Fixation at the guiding bar side. Holders for different "Weinmann" systems upon request.
202.4381.0	as-medical* fourfold socket outlet, with potential equalisation bar

varimed®

Endo trolley, dressing and treatment trolleys fully equipped



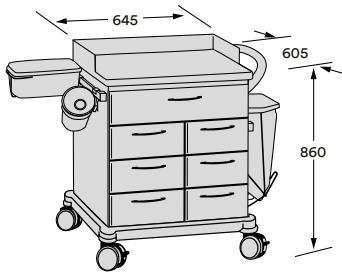
Model No. Description

260.0410.0 Treatment trolley

with 4 drawers type 6D, incl. syringe and cannula dispenser 202.1610.0, bracket 202.1860.1, left side rail 202.3000.0, medical waste bin set with holder 205.1550.0 and waste bag holder 202.3810.0. 4 closed double castors Ø 125 mm, plastic, electro-conductive, ball bearing, consisting of 2 full lock-type castors and 1 with directional locking, silver grey frame cover with revolving bumpers, plastic top (silver grey) with profile edge and 3-sided guard rail 202.0020.0, guiding bar.

260.0310.0 Dressing and treatment trolley

as Treatment trolley 260.0410.0, but without the accessory package.

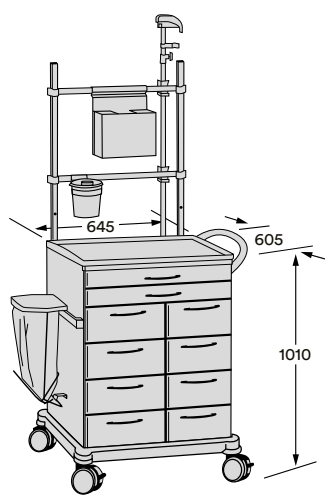


260.0420.0 Dressing trolley

with 1 drawer type 6D and 6 drawers type 3D, incl. left side rail 202.3000.0, medical waste bin set with holder 205.1550.0, holder 205.1350.0 and plastic tray with opening in lid 205.1460.0, right side rail 202.3000.0 and waste bag holder 202.3810.0. 4 closed double castors Ø 125 mm, plastic, electro-conductive, ball bearing, consisting of 2 full lock-type castors and 1 with directional locking, silver grey frame cover with revolving bumpers, plastic top (silver grey) with profile edge and 3-sided guard rail 202.0020.0, guiding bar.

260.0330.0 Dressing and treatment trolley

as Dressing trolley 260.0420.0, but without the accessory package.



Model No.	Description
-----------	-------------

260.0730.0	Endo trolley
-------------------	---------------------

	with 2 drawers type 6B and 8 drawers type 3D, incl. accessory rack 205.4100.0, accessory rail 205.0500.0, medical waste bin set with holder 205.1550.0, container for excision forceps 202.4450.0, endoscope holder 202.4510.0, left side rail 202.3000.0 and waste bag holder 202.3810.0.
--	--------------------------------------------------------------------------------------------------------------------------------------------------------------------------------------------------------------------------------------------------------------------------------------------

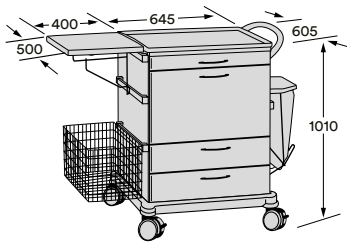
	4 closed double castors Ø 125 mm, plastic, electro-conductive, ball bearing, consisting of 2 full lock-type castors and 1 with directional locking, silver grey frame cover with revolving bumpers, plastic top (silver grey) with profile edge, guiding bar.
--	---------------------------------------------------------------------------------------------------------------------------------------------------------------------------------------------------------------------------------------------------------------

260.0630.0	Dressing and treatment trolley
-------------------	---------------------------------------

	as Endo trolley 260.0730.0, but without the accessory package.
--	----------------------------------------------------------------

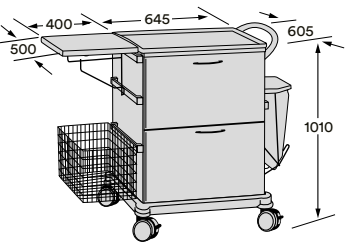
varimed® Ward trolleys, fully equipped

Model No. Description



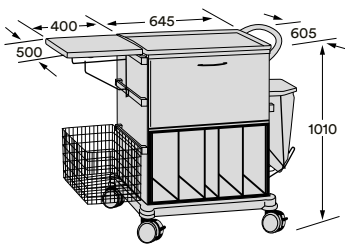
260.3010.0 Ward trolley
with 1 drawer type 6B,
1 file drawer for all common suspended file types
(safe working load 13 kg) and 2 drawers type 6 D,
incl. on the left 3 side rails 202.3000.0, storage shelf
202.6500.0, basket 202.5800.0 on the right side rail
202.3000.0 and waste bag 202.3810.0.
4 closed double castors Ø 125 mm, plastic, electro-
conductive, ball bearing, consisting of 2 full lock-type
castors and 1 with directional locking, silver grey frame
cover with revolving bumpers, plastic top (silver grey)
with profile edge, guiding bar.

260.3011.0 Dressing and treatment trolley
as Ward trolley 260.3010.0,
but without the accessory package.



260.3020.0 Ward trolley
with 2 file drawers for all common suspended file types
(safe working load 13 kg per drawer), incl. on the left
3 side rails 202.3000.0, storage shelf 202.6500.0,
basket 202.5800.0, on the right side rail 202.3000.0
and waste bag 202.3810.0.
4 closed double castors Ø 125 mm, plastic, electro-
conductive, ball bearing, consisting of 2 full lock-type
castors and 1 with directional locking, silver grey frame
cover with revolving bumpers, plastic top (silver grey)
with profile edge, guiding bar.

260.3021.0 Dressing and treatment trolley
as Ward trolley 260.3020.0,
but without the accessory package.



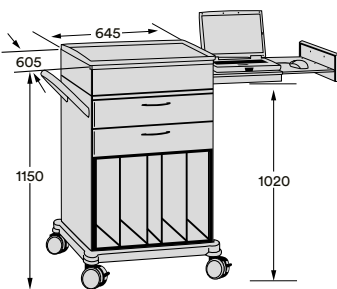
Model No. Description

260.3030.0 Ward trolley

with 1 file drawer for all common suspended file types (safe working load 13 kg), bottom compartment for storing X-ray films, max. 350 × 520 mm H x D, incl. on the left, 3 side rails 202.3000.0, storage shelf 202.6500.0, basket 202.5800.0, on the right side rail 202.3000.0 and waste bag 202.3810.0.
4 closed double castors Ø 125 mm, plastic, electro-conductive, ball bearing, consisting of 2 full lock-type castors and 1 with directional locking, silver grey frame cover with revolving bumpers, plastic top (silver grey) with profile edge, guiding bar.

260.3031.0 Dressing and treatment trolley

as Ward trolley 260.3030.0,
but without the accessory package.



260.3050.0 Ward trolley

with 2 drawers type 6D, at the bottom compartment for storing X-ray films, max. 400 × 520 mm H x D. Incl. shelf compartment 202.6410.0, for electronic patient records (EPR), with lock, lateral drawer, extensible, for storing a laptop or PC with mouse pad, effective height 65 mm, holder for power socket with mains cable and exit for plug.
4 closed double castors Ø 125 mm, plastic, electro-conductive, ball bearing, consisting of 2 full lock-type castors and 1 with directional locking, silver grey frame cover with revolving bumpers, plastic top (silver grey) with profile edge, guiding bar.

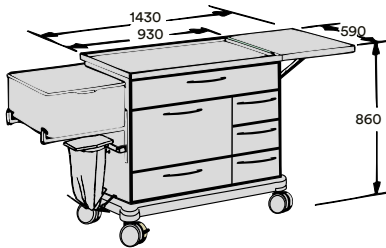
260.3051.0 Dressing and treatment trolley

as Ward trolley 260.3050.0,
but without the accessory package.

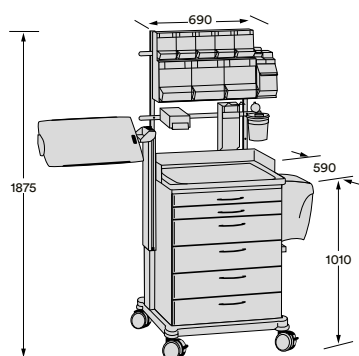
200.6030.0 Powder coated cabinet body acc. to colour chart

Surcharge

varimed®
Plaster dressing trolley, ICU trolley
fully equipped



Model No.	Description
260.1050.0	<p>Plaster dressing trolley with 1 drawer type 9D with subdividers for plaster dressing, left 1 drawer type 6G and 1 drawer type 6D, on the right, 3 drawers type 3D, incl. on the left plastic basin with holder, 525 × 455 × 220 mm (W x D x H) 202.0007.0, swivel-type waste bag holder 202.0008.0 with 1 roll of waste bags (48 pcs), on the right 2 side rails 202.3000.0 with SST 18/10 extension shelf 202.6600.0. 4 closed double castors Ø 125 mm, plastic, electro-conductive, ball bearing, consisting of 2 full lock-type castors and 1 with directional locking, silver grey frame cover with revolving bumpers, table top made of SST 18/10 with all around profile edge, 202.0230.0.</p>
260.1030.0	<p>Dressing and treatment trolley as Plaster dressing trolley 260.1050.0, but without the accessory package.</p>
202.0007.0	<p>Plastic basin 525 × 455 × 220 mm (W x D x H) with holder.</p>
202.0008.0	<p>Waste bag holder swivel-type, with 1 roll of waste bags (48 pcs).</p>



Model No.	Description
-----------	-------------

260.0023.0	ICU trolley
-------------------	--------------------

	<p>with 2 drawers type 6 B and 4 drawers type 6 D, incl. accessory rack 205.4100.0, fixing bracket 205.1150.0, syringe and cannula dispenser 202.1610.0, holder for disposable gloves dispenser 202.5210.0, medical waste bin set with holder 205.1550.0, disinfectant dispenser 205.0920.0, left side adjustable tray table 202.6660.0, right side rail 202.3000.0 and waste bag holder 202.3710.0.</p> <p>4 closed double castors Ø 125 mm, plastic, electro-conductive, ball bearing, consisting of 2 full lock-type castors and 1 with directional locking, silver grey frame cover with revolving bumpers, SST 18/10 top with profile edge and 3-sided guard rail 202.0320.0.</p>
--	----------------------------------------------------------------------------------------------------------------------------------------------------------------------------------------------------------------------------------------------------------------------------------------------------------------------------------------------------------------------------------------------------------------------------------------------------------------------------------------------------------------------------------------------------------------------------------------------------------------------------------------------------------------------------------------

260.0016.0	Dressing and treatment trolley
-------------------	---------------------------------------

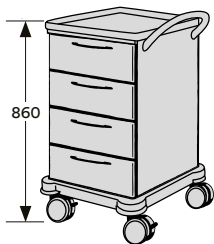
	<p>as ICU trolley 260.0023.0, but without the accessory package.</p>
--	----------------------------------------------------------------------

varimed®

Dressing and treatment trolleys

Width 450 mm, height 860 mm and 1010 mm

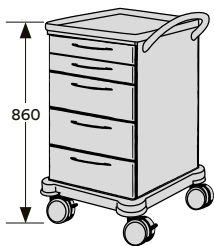
Model No.	Description
-----------	-------------



260.0010.0 Dressing and treatment trolley

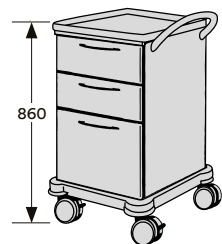
with 4 drawers type 4D.

4 closed double castors Ø 125 mm, plastic, electro-conductive, ball bearing, consisting of 2 full lock-type castors and 1 with directional locking, silver grey frame cover with revolving bumpers, plastic top (silver grey) with profile edge, guiding bar.



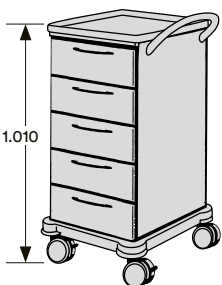
260.0011.0 Dressing and treatment trolley

as 260.0010.0, however with 2 drawers type 4B and 3 drawers type 4D.



260.0020.0 Dressing and treatment trolley

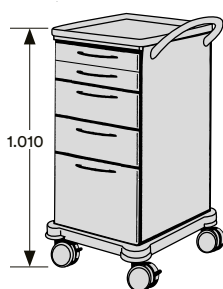
as 260.0010.0, however with 2 drawers type 4D and 1 drawer type 4G.



260.0110.0 Dressing and treatment trolley

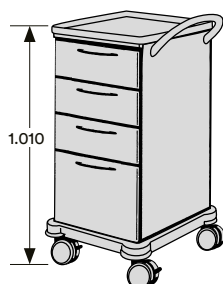
with 5 drawers type 4D.

4 closed double castors Ø 125 mm, plastic, electro-conductive, ball bearing, consisting of 2 full lock-type castors and 1 with directional locking, silver grey frame cover with revolving bumpers, plastic top (silver grey) with profile edge, guiding bar.



Model No. Description

260.0012.0 Dressing and treatment trolley
as 260.0110.0, however with 2 drawers type 4B,
2 drawers type 4D and 1 drawer type 4G.



260.0120.0 Dressing and treatment trolley
as 260.0110.0, however with 3 drawers type 4D and
1 drawer type 4G.

202.0010.0	Table top with 3-sided guard rail, made of plastic	Surcharge
202.0110.0	Table top cover, SST 18/10	
202.0210.0	Table top made completely of SST 18/10	Surcharge
202.0310.0	Table top with 3-sided guard rail made completely of SST 18/10	Surcharge
200.6030.0	Powder coated cabinet body acc. to colour chart	Surcharge



varimed®
Dressing and treatment trolleys
Width 600 mm, height 860 mm

Model No. Description



260.0310.0 Dressing and treatment trolley
 with 4 drawers type 6D.
 4 closed double castors Ø 125 mm, plastic, electro-
 conductive, ball bearing, consisting of 2 full lock-type
 castors and 1 with directional locking, silver grey frame
 cover with revolving bumpers, plastic top (silver grey)
 with profile edge, guiding bar.



260.0013.0 Dressing and treatment trolley
 as 260.0310.0, however with 2 drawers type 6B and
 3 drawers type 6D.



260.0320.0 Dressing and treatment trolley
 as 260.0310.0, however with 2 drawers type 6D and
 1 drawer type 6G.



260.0330.0 Dressing and treatment trolley
 as 260.0310.0, however with 1 drawer type 6D and
 6 drawers type 3D.



260.0340.0 Dressing and treatment trolley
 as 260.0310.0, however with 2 drawers type 3D and
 1 drawer type 6D, below open compartment with
 bottom steel panel

varimed®
Dressing and treatment trolleys
Width 600 mm, height 860 mm

Model No. Description



260.0350.0 Dressing and treatment trolley
 as 260.0310.0, however with 2 drawers type 6B and
 6 drawers type 3D



260.0360.0 Dressing and treatment trolley
 as 260.0310.0, however with 1 drawer type 6D,
 1 hinged door, LH hinges, 1 adjustable plastic-laminated
 shelf and 3 drawers type 3D.



260.0370.0 Dressing and treatment trolley
 as 260.0310.0, however with 2 drawers type 3D,
 2 hinged doors and 1 adjustable plastic-laminated shelf.



260.0380.0 Dressing and treatment trolley
 as 260.0310.0, however with 2 hinged doors,
 2 adjustable plastic-laminated shelves.

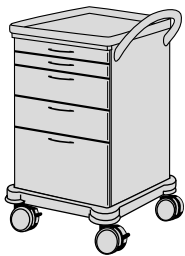


260.0040.0 Dressing and treatment trolley
 as 260.0310.0, however with 2 drawers type 6B,
 1 drawer type 6D and 1 drawer type 6G.

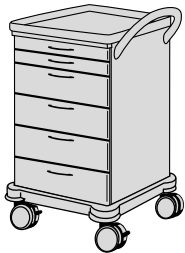
Model No.	Description	
202.0020.0	Table top with 3-sided guard rail, made of plastic	Surcharge
202.0120.0	Table top cover, SST 18/10	
202.0220.0	Table top made completely of SST 18/10	Surcharge
202.0320.0	Table top with 3-sided guard rail made completely of SST 18/10	Surcharge
200.6030.0	Powder coated cabinet body acc. to colour chart	Surcharge

varimed®
Dressing and treatment trolleys
Width 600 mm, height 1010 mm

Model No. Description



260.0610.0 Dressing and treatment trolley
 with 2 drawers type 6B, 2 drawers type 6D and
 1 drawer type 6G.
 4 closed double castors Ø 125 mm, plastic, electro-
 conductive, ball bearing, consisting of 2 full lock-type
 castors and 1 with directional locking, silver grey frame
 cover with revolving bumpers, plastic top (silver grey)
 with profile edge, guiding bar.



260.0016.0 Dressing and treatment trolley
 as 260.0610.0, however with 2 drawers type 6B and
 4 drawers type 6D.



260.0017.0 Dressing and treatment trolley
 as 260.0610.0, however with 3 drawers type 6D and
 1 drawer type 6G.



260.0620.0 Dressing and treatment trolley
 as 260.0610.0, however with 1 drawer type 6D and
 8 drawers type 3D.



260.0630.0 Dressing and treatment trolley
 as 260.0610.0, however with 2 drawers type 6B and
 8 drawers type 3D.

Model No. Description



260.0640.0 Dressing and treatment trolley
as 260.0610.0, however with 2 drawers type 6B,
1 drawer type 6D and 6 drawers type 3D.



260.0650.0 Dressing and treatment trolley
as 260.0610.0, however with 2 drawers type 6B,
4 drawers type 3D and 1 drawer type 6G.



260.0015.0 Dressing and treatment trolley
as 260.0610.0, however with 1 drawers type 6D,
4 drawers type 3D and 1 drawer type 6G.

varimed®
Dressing and treatment trolleys
Width 600 mm, height 1010 mm

Model No. Description



260.0660.0 Dressing and treatment trolley
 as 260.0610.0, however with
 5 drawers type 6D.



260.0670.0 Dressing and treatment trolley
 as 260.0610.0, however with
 5 drawers type 3D on the left,
 3 drawers type 3D and 1 drawer type 3G on the right.



260.0680.0 Dressing and treatment trolley
 as 260.0610.0, however with
 1 drawer type 6D, 1 hinged door, LH hinges,
 1 adjustable plastic-laminated shelf and
 4 drawers type 3D.



260.0690.0 Dressing and treatment trolley
 as 260.0610.0, however with
 2 drawers type 6D, on the left: 1 hinged door,
 LH hinges, 1 adjustable plastic-laminated shelf and
 on the right: 3 drawers type 3D



260.0700.0 Dressing and treatment trolley
 as 260.0610.0, however with
 2 drawers type 6B, 1 drawer type 6D,
 2 hinged doors and 1 adjustable plastic-laminated shelf.



Model No.	Description	
260.0710.0	Dressing and treatment trolley as 260.0610.0, however with 1 drawer type 6D, 2 hinged doors and 1 adjustable plastic-laminated shelf.	
202.0020.0	Table top with 3-sided guard rail, made of plastic	Surcharge
202.0120.0	Table top cover, SST 18/10	
202.0220.0	Table top made completely of SST 18/10	Surcharge
202.0320.0	Table top with 3-sided guard rail made completely of SST 18/10	Surcharge
200.6030.0	Powder coated cabinet body acc. to colour chart	Surcharge

varimed®
Dressing and treatment trolleys
Width 900 mm, height 860 mm

Model No. Description



260.1010.0 Dressing and treatment trolley
 with 2 drawers type 4D, 2 hinged doors and
 1 adjustable plastic-laminated shelf.
 4 closed double castors Ø 125 mm, plastic, electro-
 conductive, ball bearing, consisting of 2 full lock-type
 castors and 1 with directional locking, silver grey frame
 cover with revolving bumpers, plastic top (silver grey)
 with profile edge, guiding bar.



260.1020.0 Dressing and treatment trolley
 as 260.1010.0, however with 2 drawers type 4B on the
 left, 1 of which has a pull-out shelf, 1 hinged door,
 LH hinges, 1 adjustable plastic-laminated shelf,
 and on the right, 4 drawers type 4D.



260.1030.0 Dressing and treatment trolley
 as 260.1010.0, however with
 1 drawer type 9D, 1 drawer type 6G and
 1 drawer type 6D on the left and
 3 drawers Type 3D on the right.



260.1040.0 Dressing and treatment trolley
 as 260.1010.0, however with
 4 drawers type 9D.

varimed®
Dressing and treatment trolleys
Width 900 mm, height 1010 mm

Model No. Description



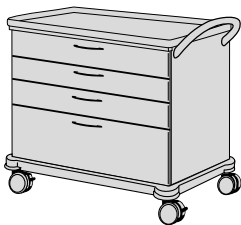
260.1210.0 Dressing and treatment trolley
 with 2 drawers type 9D, 3 drawers type 4D on the left, 1 drawer type 4D and 1 drawer Type 4G on the right. 4 closed double castors Ø 125 mm, plastic, electro-conductive, ball bearing, consisting of 2 full lock-type castors and 1 with directional locking, silver grey frame cover with revolving bumpers, plastic top (silver grey) with profile edge, guiding bar.



260.1220.0 Dressing and treatment trolley
 as 260.1210.0, however with 2 drawers type 4B on the left, 1 drawer type 4D, 1 hinged door, LH hinges, 1 adjustable plastic-laminated shelf and 5 drawers type 4D on the right.



260.0018.0 Dressing and treatment trolley
 as 260.1210.0, however with 2 drawers type 9D, 1 drawer type 4D and 1 drawer type 4 G on the left and 1 drawer type 4D and 1 drawer type 4 G on the right.



260.0019.0 Dressing and treatment trolley
 as 260.1210.0, however with 3 drawers type 9D and 1 drawer type 9G.

varimed®

Dressing and treatment trolleys
Width 900 mm, height 1010 mm

Model No. Description



260.0021.0 Dressing and treatment trolley
 as 260.1210.0, however with
 2 drawers type 9D and 6 drawers type 4D.

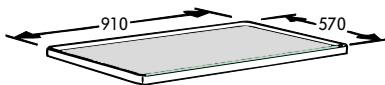
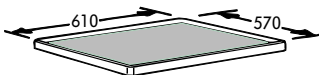
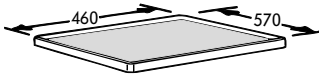
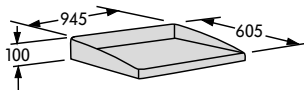
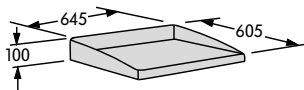
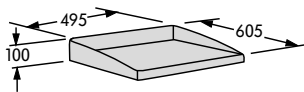


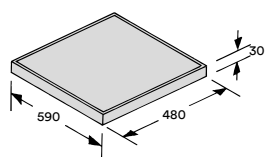
260.0022.0 Dressing and treatment trolley
 as 260.1210.0, however with
 2 drawers type 9D, 3 drawers type 6D on the left and
 3 drawers type 3D on the right.

Model No.	Description	
202.0030.0	Table top with 3-sided guard rail, made of plastic	Surcharge
202.0130.0	Table top cover, SST 18/10	
202.0230.0	Table top made completely of SST 18/10	Surcharge
202.0330.0	Table top with 3-sided guard rail made completely of SST 18/10	Surcharge
200.6030.0	Powder coated cabinet body acc. to colour chart	Surcharge

varimed® Table top variants

Model No.	Description	
202.0010.0	Table top made of plastic, silver grey, with 3-sided guard rail, for functional trolley 450 mm in width.	Surcharge
202.0020.0	Table top plastic, silver grey, with 3-sided guard rail, for functional trolley 600 mm in width.	Surcharge
202.0030.0	Table top made of plastic, silver grey, with 3-sided guard rail, for functional trolley 900 mm in width.	Surcharge
202.0110.0	Table top cover made of SST 18/10, for functional trolley 450 mm in width.	
202.0120.0	Table top cover made of SST 18/10, for functional trolley 600 mm in width.	
202.0130.0	Table top cover made of SST 18/10, for functional trolley 900 mm in width.	

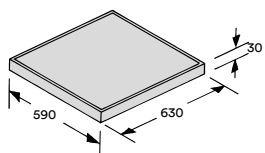




Model No. Description

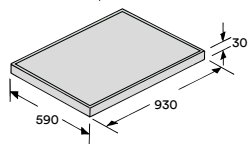
202.0210.0 Table top made of SST 18/10
with all around profile edge,
for functional trolley 450 mm in width.

Surcharge



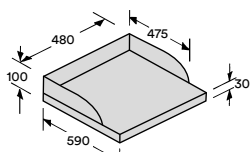
202.0220.0 Table top made of SST 18/10
with all around profile edge,
for functional trolley 600 mm in width.

Surcharge



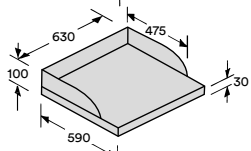
202.0230.0 Table top made of SST 18/10
with all around profile edge,
for functional trolley 900 mm in width.

Surcharge



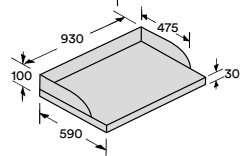
202.0310.0 Table top made of SST 18/10
with all around profile edge and 3-sided guard rail,
for functional trolley 450 mm in width.

Surcharge



202.0320.0 Table top made of SST 18/10
with all around profile edge and 3-sided guard rail,
for functional trolley 600 mm in width.

Surcharge



202.0330.0 Table top made of SST 18/10
with all around profile edge and 3-sided guard rail,
for functional trolley 900 mm in width.

Surcharge

varimed®

Accessories for fixed mounting to functional trolley

Model No. Description



202.7560.1 Central lock
for drawers (including divided drawers), **not suitable for models with hinged doors or open compartments.** Can be used to lock all drawers or individual drawers, please specify when ordering. The same key operates several functional trolleys as standard. No subsequent fitting possible.



202.5520.0 Lead sealing strips (pair)
powder-coated vermilion steel plate (RAL 2002), with 100 lead seals, for emergency trolley 260.0400.0.

202.5530.0 Lead sealing strips (pair)
(w/o ill.) powder-coated vermilion steel plate (RAL 2002), with 100 lead seals, for trolleys 860 mm high, with divided drawers.

202.5540.0 Lead sealing strips (pair)
(w/o ill.) powder-coated vermilion steel plate (RAL 2002), with 100 lead seals, for trolleys 1010 mm high, with divided drawers.

202.5550.0 Lead sealing strip
(w/o ill.) powder-coated vermilion steel plate (RAL 2002), with 100 lead seals, for trolleys 860 mm high, with full-width drawers.
(right hand side mounting)

202.5560.0 Lead sealing strip
(w/o ill.) powder-coated vermilion steel plate (RAL 2002), with 100 lead seals, for trolleys 1010 mm high, with full-width drawers.
(right hand side mounting)

202.5450.0 Lead seals
(w/o ill.) for lead sealing strip, 200 pcs.



Model No. Description

202.4600.0 Framed label plate
with magnetic fixing for drawer fronts and hinged doors, 10 pcs

202.4650.0 Paper labels
white, for 202.4600.0, 18 pcs

202.4660.0 Paper labels
blue, for 202.4600.0, 18 pcs

202.1850.1 Bracket for dressing or syringe and cannula dispenser
Steel sheet powder-coated white aluminium (RAL 9006) for mounting dressing and syringe/ cannula dispenser, with fixation, for functional trolleys of 450 mm width.

202.1860.1 Bracket for dressing or syringe and cannula dispenser
as 202.1850.1,
but for functional trolleys of 600 mm or 900 mm width.

No combination of brackets 202.1850.1 and 202.1860.1 and multifunctional rail systems for mounting to the back of the trolley.

varimed®

Accessories for fixed mounting to functional trolley

Model No. Description



202.1610.0 Syringe and cannula dispenser
730 × 240 × 410 mm (W x D x H),
grey plastic housing, with 3 large and 5 small
crystal-clear boxes, First-in/First-out system,
with twin set swab moistener and dispenser.



202.1640.0 Syringe and cannula dispenser
600 × 200 × 410 mm (W x D x H),
grey plastic housing, with 3 large and 5 small
crystal-clear boxes, First-in/First-out system,
without twin set.



202.1650.0 Syringe and cannula dispenser
730 × 240 × 410 mm (W x D x H),
grey plastic housing, with 3 large and 5 small
crystal-clear boxes, Last-in/First-out system,
with twin set swab moistener and dispenser.



202.1660.0 Syringe and cannula dispenser
600 × 200 × 410 mm (W x D x H),
grey plastic housing, with 3 large boxes 202.0001.0
and 5 small boxes 202.0003.0, Last-in/First-out system,
without twin set.

202.0007.0 Plastic basin
(w/o ill.) 525 × 455 × 220 mm (W x D x H) with holder,
for plaster dressing trolley 260.1050.0.



Further options for
different combinations
of boxes can be found
on page 81.

202.0008.0 Waste bag holder
(w/o ill.) swivel-type, with 1 roll of waste bags (48 pcs)
for plaster dressing trolley 260.1050.0.

(disposables not included)

Model No. Description



202.6410.0 Laptop compartment

for electronic patient records (EPR), with lock, lateral drawer, extensible, for storing a laptop or PC with mouse pad, effective height 65 mm, holder for power socket with mains cable and exit for plug, for functional trolleys 600 mm wide.

(subsequent fitting possible; please contact our service dept.) The guiding bar of the trolley is mounted on the LHS.



202.5260.1 Pre-heating system €€ for drawer type 6D

temperature adjustment and controlling by display adjustable up to a max. of 40 degrees.

Connection power 230 V 60-65 VA, cable with plug, approx. 2 metres long. The effective depth of the preheated drawer is reduced to 310 mm.

Can only be fitted on the top 2 drawers of a functional trolley. A maximum of 2 drawers can be fitted per functional trolley.



202.0006.0 Holder for ultrasound gel

made of SST, 320 x 165 mm (L x W).

For warming the ultrasound gel fluid in the drawer with preheating element, suitable for up to 4 bottles of gel.



202.6660.0 Adjustable tray table

570 x 370 mm (W x D) white, with fixation, height adjustable via telescope, horizontal height adjustment from 850 to 1220 mm, swivelling around 360° in 35° steps.

Swivel-in and swivel-out function. Fixed to the base of the trolley. Safe working load: 5 kg. (no subsequent fitting)

varimed®

Accessories for fixed mounting to functional trolley

Model No.	Description
202.4381.0 (w/o ill.)	<p>as-medical* C€ Medical fourfold socket outlet</p> <p>fourfold socket outlet with Schuko sockets type F for medical technical devices fulfilling the requirements of the standard IEC 60601-ff, incl. holder, detachable. Dimensions: 530 × 65 × 72 mm (L x W x H). A locking clamp, solely adjustable by tool, protects from unintentional removing the power supply plugs. equipped with 4 connection pins according to DIN 42801 to be connected by a feeder line POAG-K6 with the central potential equalisation max. total load: 2300 Watts two-pole fuse (T6 3 Ah) Supply line: 3 m incl. right-angle plug This multiple-socket outlet fulfils the requirements according to IEC 60601-1-2-13 and is also released for being operated in areas of application group 2 according to VDE definition 0100-710. Mounted to back panel of trolley.</p>
202.4382.0	<p>as-medical* C€ fourfold socket outlet for medical technical devices, similar to 202.4381.0, but without potential equalization. Dimensions: 400 × 65 × 72 mm (L x W x H). Mounted to the back panel of the trolley.</p>
202.4390.0 (w/o ill.)	<p>Sixfold socket outlet* C€ with Schuko sockets type F, 250 V AC, max. 16 A, dimensions: 432 × 70 × 45 mm (L x W x H), made of anodised aluminium profile with rounded plastic edges, black, with convenient cord storage max. total load: 3600 Watts Supply line: 1.75 m HO5VV – F 1.5mm², incl. Schuko right angle plug This multiple-socket outlet must not be used for medical electrical equipment! No operation inside areas of application group 2. Mounted to back panel of trolley.</p>





Model No. Description

202.5110.0 Storage shelf

① pivotable, steel, powder-coated white aluminium (RAL 9006), 445 × 395 mm (W x D), screw fixed at the left rear edge of the trolley, safe working load up to 20 kg. (additional fitting of dressing or injection dispensers not possible.)

202.6860.0 Holder

② for storage of the “Weinmann” resuscitation unit, Life Base III on carrying platform. Mounting at the guiding bar side. (Holder for other Weinmann systems upon request)

202.4700.0 Infusion rod* CE^{MD}

③ SST 18/10, upper section with 4 hooks, drip glass, height adjustable by 900 mm, one-hand action, safe working load: per hook 2 kg. (screw fixed to back wall of trolley).

202.5500.0 Reanimation board CE^{MD}

④ 390 × 600 × 8 mm (W x H x D) incl. holder, fixed to the back of trolley.



varimed®**The rail system for accessories**

- Easy and fast attachment and interchange of accessories
- Suspending instead of screw-connection
- Side rails with a useful length of 460 mm –
Please observe space used by the accessory
- Functional trolleys can be equipped with
max. 3 rails on the left hand side and
max. 2 rails below the push handle

varimed® Accessory sets

Model No.	Description
-----------	-------------



202.9600.0	Accessory set for treatment trolley comprises: 2 side rails 202.3000.0 LHS mounted, 2 holders 205.1350.0, plastic tray with closed lid 205.1450.0, plastic tray with opening in lid 205.1460.0 and waste bag holder 202.3810.0.
-------------------	----------------------------------------------------------------------------------------------------------------------------------------------------------------------------------------------------------------------------------------------------------



202.9650.0	Accessory set for treatment trolley comprises: 1 side rail 202.3000.0 LHS mounted, 1 holder 205.1350.0, plastic tray with opening in lid 205.1460.0, medical waste bin set 205.1550.0, 1 side rail 202.3000.0 RHS mounted, waste bag holder 202.3810.0.
-------------------	----------------------------------------------------------------------------------------------------------------------------------------------------------------------------------------------------------------------------------------------------------------------------------



202.9720.0	Accessory set for treatment trolley comprises: syringe and cannula dispenser 202.1610.0 with bracket 202.1860.1, side rail 202.3000.0 LHS mounted with container for catheters 200.1380.0, medical waste bin set 205.1550.0 and ampule opener 202.4310.0, for functional trolleys 600 mm in width.
-------------------	-----------------------------------------------------------------------------------------------------------------------------------------------------------------------------------------------------------------------------------------------------------------------------------------------------------------------------

varimed® Accessories for mounting to accessory rail system

Model No. Description



202.3000.0 Side rail
aluminium, 25 × 10 mm, with fastening pieces,
safe working load up to 20 kg.
Effective width: 460 mm



202.3230.0 Swivel-mounted tray, square
230 × 190 × 40 mm (W × D × H)
SST 18/10, with holder and plastic rail clamp.
Effective width: 220 mm.



202.3240.0 Swivel-mounted tray, round
Ø 220 × 40 mm (diam. × H)
SST 18/10, with holder and plastic rail clamp.
Effective width: 220 mm.



202.3300.0 Tray
355 × 320 × 65 mm (W × D × H)
SST 18/10, with steel holder, powder-coated
white aluminium (RAL 9006), SST 18/10.
Effective width: 380 mm.

205.1350.0 Holder
290 × 215 × 25 mm (W × D × H)
of steel, powder-coated white aluminium
(RAL 9006), plastic rail clamp, for plastic trays
205.1450.0 and 205.1460.0.
Effective width: 300 mm.

205.1460.0 Plastic tray
225 × 300 × 130 mm (W × D × H)
made of polypropylene, with opening in lid.

205.1450.0 Plastic tray
(w/o ill.) 225 × 300 × 130 mm (W × D × H)
made of polypropylene, with closed lid.

varimed®

Accessories for mounting to accessory rail system

Model No. Description



202.3470.0 12 l bucket
 Ø 310 × 270 mm (diam. x H)
 SST 18/10 bucket with steel holder,
 powder-coated white aluminium (RAL 9006),
 with plastic rail clamp.
 Effective width: 330 mm.

202.1370.0 Lid
 (w/o ill.) made of SST 18/10, for 12 l bucket.



202.3490.0 5 l bowl
 Ø 330 × 140 mm (diam. x H)
 SST 18/10 bowl with steel holder, powder-coated
 white aluminium (RAL 9006), with plastic rail clamp.
 Effective width: 330 mm.



202.3710.0 Waste bag holder
 225 × 205 × 360 mm (W x D x H)
 grey white plastic casing, content approx. 8 litres with
 knee operation, for 10 l waste bags, steel holder,
 powder-coated white aluminium (RAL 9006),
 2 plastic rail clamps.
 Effective width: 230 mm.



202.3740.0 Waste bag holder
 350 × 250 × 520 mm (W x D x H)
 grey white plastic casing, content approx. 20 litres,
 with knee operation, for 20 l waste bags, steel holder,
 powder-coated white aluminium (RAL 9006),
 2 plastic rail clamps.
 Effective width: 260 mm.

Please note:

The waste bag holder 202.3740.0 cannot be mounted below the guiding bar of 860 mm high functional trolleys (upon opening, lid would hit the guiding bar).

Model No.	Description
-----------	-------------

**202.3810.0 Waste bag holder**

265 × 205 × 425 mm (W x D x H)

wire Rilsan coated, with plastic lid, for 15 l waste bags, steel holder, powder coated white aluminium RAL 9006, plastic rail clamp, incl. 1 roll of waste bags 202.2070.0. Effective width: 300 mm.

**202.3910.0 Waste bag holder**

280 × 110 × 410 mm (W x D x H)

powder-coated white aluminium (RAL 9006) sheet steel, with 2 plastic rail clamps, for 15 l waste bags, incl. 1 roll of waste bags 202.2070.0. Effective width: 300 mm.

202.2070.0 Spare waste bags

(w/o ill.)

15 litres, in rolls, 48 pcs, for 202.3810.0, 202.3910.0, 202.0008.0, 205.0007.0 and 205.0008.0.

**202.0009.0 Refuse container**

420 × 175 × 410 mm (W x D x H)

powder-coated white aluminium RAL 9006 sheet steel, volume 18 litres, with 2 plastic rail clamps. Protruding lid can be opened by knee. Effective width: 420 mm.

varimed®

Accessories for mounting to accessory rail system

Model No. Description



205.0900.0 Disinfectant dispenser
Height adjustable, for mounting of 500 ml container, with SST pump, with fastening plate made of powder-coated white aluminium RAL 9006 steel plate, main tube 500 mm in length and plastic rail clamp. Effective width: 100 mm.

205.0910.0 Disinfectant dispenser
Height adjustable, for mounting of 1,000 ml container, with SST pump, with fastening plate made of powder-coated white aluminium RAL 9006 steel plate, main tube 500 mm in length and plastic rail clamp. Effective width: 100 mm.

Illustration incl. drip-catcher 205.1050.0/205.1060.0



205.0920.0 Disinfectant dispenser
For mounting of 500 ml container, with SST pump, with fastening plate made of powder-coated white aluminium RAL 9006 steel plate and plastic rail clamp. Effective width: 100 mm.

205.0930.0 Disinfectant dispenser
For mounting of 1,000 ml container, with SST pump, with fastening plate made of powder-coated white aluminium RAL 9006 steel plate and plastic rail clamp. Effective width: 100 mm.



205.1050.0 Drip-catcher
SST 18/10, for 500 ml disinfectant dispenser.

205.1060.0 Drip-catcher
SST 18/10, for 1,000 ml disinfectant dispenser.



Model No. Description

205.1550.0 Medical waste bin set 1.5 litres
 20 polypropylene boxes with red lid,
 SST 18/10 holder and plastic rail clamp.
 Effective width: 200 mm.
 (Holders for different systems upon request)

205.1510.0 Holder
 as 205.1550.0, however without boxes.
 Effective width: 200 mm.
 (Holders for different systems upon request)

205.1600.0 Medical waste bin set 1.5 litres
 (w/o ill.) Carton with 100 boxes, without holder.



202.4310.0 Ampule opener Cupfix
 with removable collecting tray and diamond file,
 steel holder powder-coated white aluminium RAL 9006,
 with plastic rail clamp.
 Effective width: 170 mm.

varimed®

Accessories for mounting to accessory rail system

Model No. Description



202.5210.0 Holder for gloves dispenser
100 × 150 to 280 × 35 mm (W x D x H), adjustable, for all common disposable glove cartons, made of steel powder-coated white aluminium (RAL 9006), with plastic rail clamp. Effective width: 100 to approx. 165 mm depending on the carton size. (without gloves)



205.1910.0 Holder for gloves dispenser
SST 18/10, with 2 plastic rail clamps for mounting to accessory rail, for all common disposable glove cartons, max. 3 cartons. Width adjustable from 215 to 255 mm, depth adjustable from 65 to 90 mm, height 400 mm. Effective width: 400 mm.

205.0001.0 Holder for gloves dispenser
(w/o ill.) similar to 205.1910.0, but height 530 mm for max. 4 cartons.



205.1930.0 Holder for gloves dispenser
260 × 400 × 93 mm (W x H x D), not adjustable, made of SST 18/10, with 2 plastic rail clamps 205.0760.0 for side rail mounting. (can also be mounted horizontally) Effective width: 300 mm. (for vertical mounting)



Model No. Description

205.1750.0 Catheter basket
150 × 100 × 480 mm (W x D x H), SST 18/10,
with two hooks to hang onto accessory rail.
Effective width: 150 mm.



202.5800.0 Basket
575 × 280 × 260 mm (W x H x D),
SST 18/10, to hang onto accessory rail.
Effective width: 460 mm.



205.1700.0 Basket
300 × 200 × 200 mm (W x D x H),
SST 18/10, with two hooks, to hang onto accessory rail.
Effective width: 300 mm.



205.1710.0 Basket
300 × 200 × 100 mm (W x D x H),
SST 18/10, with two hooks, to hang onto accessory rail.
Effective width: 300 mm.

varimed®

Accessories for mounting to accessory rail system

Model No.	Description
-----------	-------------



200.1380.0	Catheter container 164 × 75 × 450/560 mm (W x D x H), SST 18/10, for storage of catheters. (to attach to the guard rail or accessory rail) Effective width: 165 mm.
-------------------	----------------------------------------------------------------------------------------------------------------------------------------------------------------------------------------

202.4550.0 (w/o ill.)	Lid SST 18/10, for catheter container 200.1380.0.
---------------------------------	-------------------------------------------------------------



202.0011.0	Oxygen tank holder powder-coated white aluminium RAL 9006 sheet steel, with plastic rail clamp, for tanks of up to 5 litres, with fixing strap. For safety reasons, in order to remove the oxygen tank holder, the side rail has to be detached. Effective width: 150 mm.
-------------------	----------------------------------------------------------------------------------------------------------------------------------------------------------------------------------------------------------------------------------------------------------------------------------------------------



202.6950.0	Document holder 500 × 40 × 300 mm (W x D x H) SST 18/10. Effective width: 460 mm.
-------------------	---------------------------------------------------------------------------------------------------



Model No. Description

202.6500.0 Storage shelf

400 × 500 × 25 mm (W x D x H)
made of plastic, silver grey, fold-down,
(2 side rails 202.3000.0 required),
safe working load: 20 kg.
Effective width: 460 mm.
Safe working load for
450 mm wide functional trolleys: 10 kg!



202.6600.0 Storage shelf

500 × 580 × 25 mm (W x D x H)
SST 18/10, fold-down, (2 side rails 202.3000.0 required)
safe working load: 20 kg.
Effective width: 460 mm.
Safe working load for
450 mm wide functional trolleys: 10 kg!



202.8300.0 Soiled linen container

400 × 350 × 810 mm (W x D x H)
SST 18/10 frame, with welded-on holding frame
with rubber seal ring (2 x side rails 202.3000.0
required).
Effective width: 460 mm.

202.2310.0 Lid with handle
(w/o ill.) plastic, with fixation.

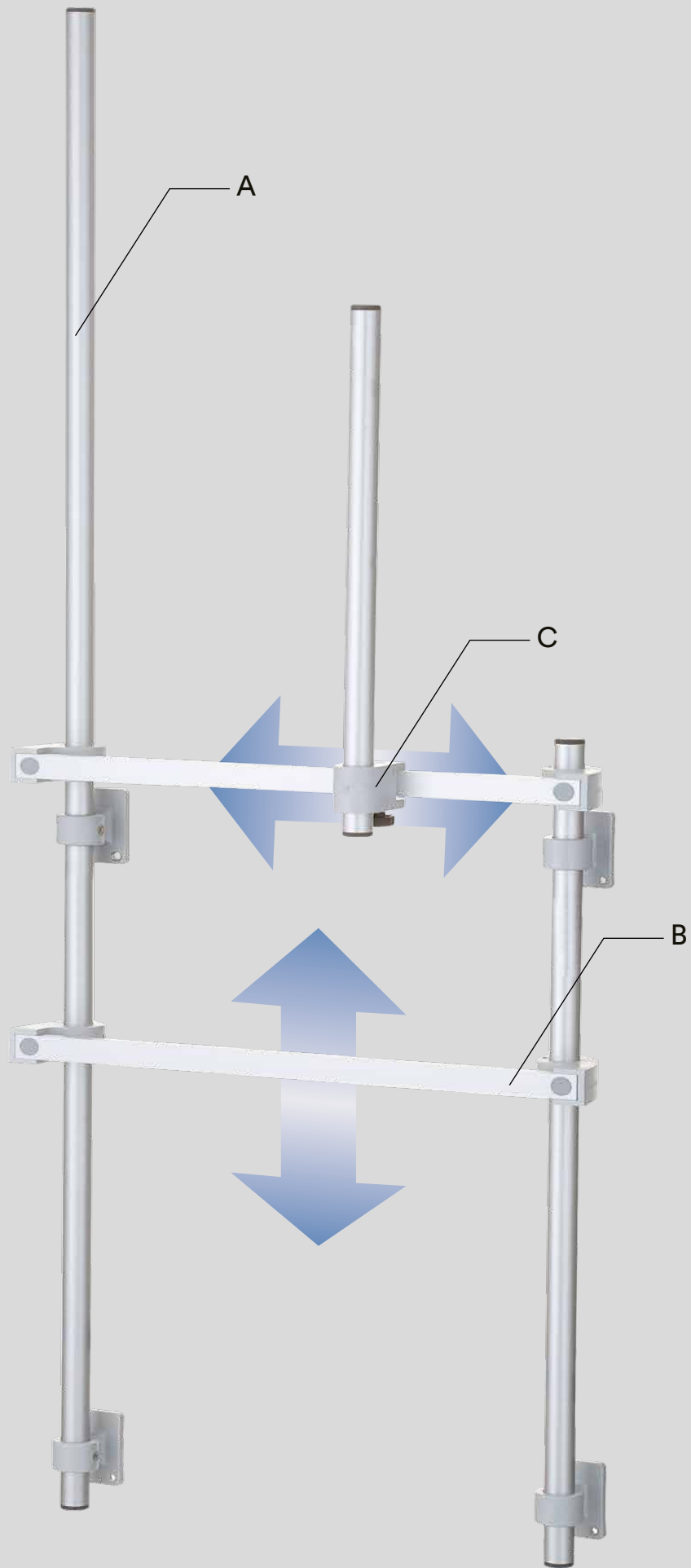
202.2320.0 Lid with handle
(w/o ill.) plastic, without fixation.



varimed®
The multifunctional rail system
Together they work better

A strong combination with decisive advantages:
Functional trolleys with multifunctional rail system.

- Simple and ergonomic attachment of accessories – vertically and horizontally adjustable.
- Saves time by optimizing and standardizing work sequences.
- Minimizes cross-contamination due to hygienic arrangement of dispensers.
- Safety due to firm and ergonomic fitting of the equipment needed at the right place.
- Use of standard accessory rails 25 × 10 mm.
- Subsequent fitting on existing trolleys.



varimed® The multifunctional rail system for accessories

This rail system can turn a trolley into a mobile workplace that can be individually and optimally designed to serve as your assistant.

- The main tubes (A) are available in different lengths. Accessories can be attached at the desired work height.
- The accessory rails (B) can be easily adjusted upward or downward.
- A clamp (C) can be used to horizontally adjust short main tubes to the accessory rails.
- The main tubes and the accessory rails are made of aluminium, the fastening elements and clamps are made of plastic.
- The rail system as seen in the picture weighs only approx. 2.5 kg.

varimed®
Multifunctional rail system
Racks for accessories, Accessory sets

Model No. Description



205.4000.0 Rack for supporting accessories
 aluminium/plastic,
 lateral mounting to functional trolley, comprises:
 4 pc Basic fastening elements (205.0100.0)
 1 pc Main tube 1,500 mm (205.0290.0)
 1 pc Main tube 800 mm (205.0220.0)
 2 pc Accessory rails 25 × 10 × 510 mm (205.0500.0)



205.4010.0 Accessory set for rack 205.4000.0
 1 pc Holder for gloves dispenser (205.1900.0)
 1 pc Disinfectant dispenser (205.0900.0)
 1 pc Basket (205.1710.0)
 1 pc Basket for catheters (205.1750.0)



Model No. Description

205.4120.0 Rack for supporting accessories

aluminium/plastic, mounted to back of functional trolleys of 450 mm width, comprises:

4 pc Basic fastening elements (205.0100.0)

2 pc Main tubes 1,500 mm (205.0290.0)

1 pc Accessory rail 25 × 10 × 360 mm (205.0540.0)

205.4100.0 Rack for supporting accessories

aluminium/plastic, mounted to back of functional trolleys of 600 mm width, comprises:

4 pc Basic fastening elements (205.0100.0)

2 pc Main tubes 1,500 mm (205.0290.0)

1 pc Accessory rail 25 × 10 × 510 mm (205.0500.0)

205.4140.0 Rack for supporting accessories

aluminium/plastic, mounted to back of functional trolleys of 900 mm width, comprises:

4 pc Basic fastening elements (205.0100.0)

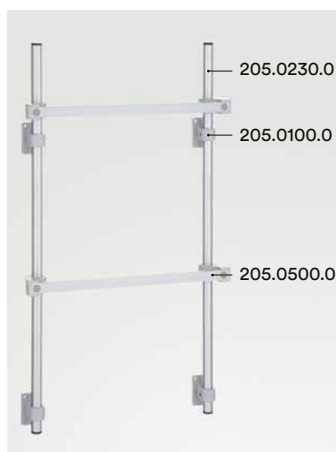
2 pc Main tubes 1,500 mm (205.0290.0)

1 pc Accessory rail 25 × 10 × 810 mm (205.0530.0)

varimed®
Multifunctional rail system
Racks for accessories, Accessory sets



Model No.	Description
205.4130.0	Accessory set for rack 205.4120.0 1 pc Shelf (205.1270.0) 1 pc Fixing bracket (205.1140.0) for mounting of dressing or syringe and cannula dispensers.
205.4110.0	Accessory set for rack 205.4100.0 1 pc Shelf (205.1280.0) 1 pc Fixing bracket (205.1150.0) for mounting of dressing or syringe and cannula dispensers.
205.4150.0	Accessory set for rack 205.4140.0 1 pc Shelf (205.1290.0) 1 pc Fixing bracket (205.1160.0) for mounting of dressing or syringe and cannula dispensers.



Model No. Description

205.4200.0 Rack for supporting accessories
 aluminium/plastic, laterally mounted on the trolley,
 comprises:
 4 pc Basic fastening elements (205.0100.0)
 2 pc Main tubes 900 mm (205.0230.0)
 2 pc Accessory rails 25 × 10 × 510 mm (205.0500.0)



205.4210.0 Accessory set for rack 205.4200.0
 1 pc Medical waste bin set 1.5 litres (205.1550.0)
 1 pc Holder (205.1350.0)
 1 pc Plastic tray (205.1450.0)
 1 pc Refuse container (205.2100.0)

varimed®

Multifunctional rail system

Basic elements



Model No.	Description
205.0100.0	Basic fastening element Made of plastic, for main tubes 205.0200.0 to 205.0290.0 (2 pieces per tube required), for assembly on the trolley.
205.0200.0	Main tube 500 mm Made of anodized aluminium, Ø 25 mm, with end caps.
205.0210.0	Main tube 600 mm otherwise designed as 205.0200.0.
205.0220.0	Main tube 800 mm otherwise designed as 205.0200.0.
205.0230.0	Main tube 900 mm otherwise designed as 205.0200.0.
205.0240.0	Main tube 1000 mm – discontinued model – otherwise designed as 205.0200.0.
205.0250.0	Main tube 1100 mm – discontinued model – otherwise designed as 205.0200.0.
205.0260.0	Main tube 1200 mm otherwise designed as 205.0200.0.
205.0270.0	Main tube 1300 mm otherwise designed as 205.0200.0.
205.0280.0	Main tube 1400 mm otherwise designed as 205.0200.0.
205.0290.0	Main tube 1500 mm otherwise designed as 205.0200.0.



Model No. Description

205.0500.0 Accessory rail 25 × 10 × 510 mm

Made of anodized aluminium, for mounting of accessories, incl. 2 clamps 205.0600.0, for the rear wall of trolleys 600 mm in width, for the side wall of trolleys 450, 600 and 900 mm in width.

Safe working load up to 20 kg.

Effective width: 450 mm.

205.0530.0 Accessory rail 25 × 10 × 810 mm

For the rear wall of trolleys 900 mm in width, otherwise designed as 205.0500.0.

Safe working load up to 20 kg.

Effective width: 750 mm.

205.0540.0 Accessory rail 25 × 10 × 360 mm

For the rear wall of trolleys 450 mm in width, otherwise designed as 205.0500.0.

Safe working load up to 20 kg.

Effective width: 300 mm

varimed®
Multifunctional rail system
Accessories for attachment to main tubes

Model No. Description

205.1140.0 Fixing bracket for dressing and syringe/cannula dispenser
 590 mm wide, made of powder-coated white aluminium RAL 9006 sheet steel, with 4 plastic clamps, for attachment to accessory rack 205.4120.0.

205.1150.0 Fixing bracket for dressing and syringe/cannula dispenser
 590 mm wide, made of powder-coated white aluminium RAL 9006 sheet steel, with 4 plastic clamps, for attachment to accessory rack 205.4100.0.

205.1160.0 Fixing bracket for dressing and syringe/cannula dispenser
 890 mm rear panel, 590 mm support surface for dispenser, made of powder-coated white aluminium RAL 9006 sheet steel, with 4 plastic clamps, for attachment to accessory rack 205.4140.0.

205.1270.0 Shelf
 450 × 300 mm (W x D) powder-coated RAL 9006, with 4 plastic clamps to slide onto basic tube of rack 205.4120.0.
 Safe working load: 15 kg.

205.1280.0 Shelf
 as 205.127.0, however 600 × 300 mm (W x D), fits rack 205.4100.0.

205.1290.0 Shelf
 as 205.127.0, however 900 × 300 mm (W x D), fits rack 205.4140.0.



Model No. Description



202.1610.0 Syringe and cannula dispenser
730 × 240 × 410 mm (W x D x H)
grey plastic housing, with 3 large and 5 small
crystal-clear boxes, First-in/First-out system,
with twin set swab moistener and dispenser.



202.1650.0 Syringe and cannula dispenser
730 × 240 × 410 mm (W x D x H)
grey plastic housing, with 3 large and 5 small
crystal-clear boxes, Last-in/First-out system,
with twin set swab moistener and dispenser.



202.1640.0 Syringe and cannula dispenser
600 × 200 × 410 mm (W x D x H)
grey plastic housing, with 3 large and 5 small
crystal-clear boxes, First-in/First-out system,
without twin set.



202.1660.0 Syringe and cannula dispenser
600 × 200 × 410 mm (W x D x H)
grey plastic housing, with 3 large boxes 202.0001.0
and 5 small boxes 202.0003.0, Last-in/First-out system,
without twin set.



202.0001.0 Set with 3 boxes
(w/o ill.) Last-in/First-out system

202.0002.0 Set with 4 boxes
Last-in/First-out system

202.0003.0 Set with 5 boxes
(w/o ill.) Last-in/First-out system

varimed®
Multifunctional rail system
Accessories for attachment to main tubes

Model No. Description



205.0950.0 Disinfectant dispenser
 for mounting of 500 ml container, with SST pump,
 with fastening plate made of powder-coated
 white aluminium RAL 9006 sheet steel and
 plastic clamp for sliding onto the main tube.

205.0960.0 Disinfectant dispenser
 for mounting of 1,000 ml container, with SST pump,
 with fastening plate made of powder-coated
 white aluminium RAL 9006 sheet steel and
 plastic clamp for sliding onto the main tube.

Illustration incl. drip-catcher 205.1050.0/205.1060.0

205.1050.0 Drip-catcher
 Made of SST 18/10, for 500 ml disinfection dispenser.

205.1060.0 Drip-catcher
 Made of SST 18/10, for 1,000 ml disinfection dispenser.



205.2300.0 Multifunctional plate
 made of Trespa, 420 × 388 × 8 mm (W x D x H),
 mounting made of SST 18/10,
 with 2 plastic clamps for sliding onto main tubes
 (can only be used on the side of the trolley).
 Safe working load: 12 kg.

Model No. Description



205.0450.0 Bottle holder
plastic, with 4 hooks, for insertion into main tube.
Safe working load: 2 kg per hook.



205.1900.0 Holder for gloves dispenser
SST 18/10, with 2 plastic clamps to slide onto main tube
(of min. 1,300 mm length). For all common disposable
glove cartons, max. 3 cartons.
Adjustable in width from 215 to 255 mm,
in depth from 65 to 90 mm, height 400 mm.

205.0002.0 Holder for gloves dispenser
(w/o ill.) similar to 205.1900.0, but height 530 mm for
max. 4 cartons.



205.1920.0 Holder for gloves dispenser
260 × 93 × 400 mm (W × D × H),
not adjustable, SST 18/10, with 2 plastic clamps
205.0700.0 for sliding onto main tube.
(of min. 1,300 mm length)



205.1800.0 Monitor holder
made of powder-coated white aluminium
RAL 9006 sheet steel with 2 plastic clamps 205.0700.0
for sliding onto main tube (of min. 1,300 mm length),
supports VESA standards 75 × 75/100 × 100 mm,
carrying capacity: 10 kg.

varimed®
Multifunctional rail system
Accessories for attachment to accessory rails

Model No. Description



202.3230.0 Swivel-mounted tray, square
 230 × 190 × 40 mm (W × D × H)
 SST 18/10 with holder and plastic rail clamp.
 Effective width: 220 mm.

202.3240.0 Swivel-mounted tray, round
 Ø 220 × 40 mm (diam. × H)
 SST 18/10 with holder and plastic rail clamp.
 Effective width: 220 mm.



202.3300.0 Tray
 355 × 320 × 65 mm (W × D × H)
 SST 18/10, with steel holder,
 plastic-coated white aluminium RAL 9006/SST 18/10.
 Effective width: 380 mm.



205.1350.0 Holder
 290 × 215 × 25 mm (W × D × H)
 of steel, powder-coated white aluminium (RAL 9006),
 plastic rail clamp, for plastic trays 205.1450.0 and
 205.1460.0.
 Effective width: 300 mm.

205.1450.0 Plastic tray
 (w/o ill.) 225 × 300 × 130 mm (W × D × H)
 of polypropylene, with closed lid.

205.1460.0 Plastic tray
 225 × 300 × 130 mm (W × D × H)
 of polypropylene, with opening in lid.

Model No. Description



205.0004.0 5 l bowl
Ø 330 × 140 mm (diam. x H)
SST 18/10 bucket with steel holder, powder-coated white aluminium (RAL 9006), with plastic rail clamp.
Effective width: 330 mm.



205.0005.0 12 l bucket
Ø 310 × 270 mm (diam. x H)
SST 18/10 bowl with steel holder, powder-coated white aluminium (RAL 9006), with plastic rail clamp.
Effective width: 330 mm.

202.1370.0 Lid
(w/o ill.) made of SST 18/10, for 12 l bucket.

varimed®

Multifunctional rail system

Accessories for attachment to accessory rails

Model No. Description



205.0003.0 Waste bag holder
225 × 205 × 360 mm (W x D x H)
grey white plastic casing, content approx. 8 litres
with knee operation, for 10 l waste bags, steel holder,
powder-coated white aluminium (RAL 9006),
with 2 plastic rail clamps.
Effective width: 230 mm.



205.0006.0 Waste bag holder
350 × 250 × 520 mm (W x D x H)
grey white plastic casing, content approx. 20 litres
with knee operation, for 20 l waste bags, steel holder,
powder-coated white aluminium (RAL 9006),
with 2 plastic rail clamps.
Effective width: 260 mm.



205.0007.0 Waste bag holder
265 × 205 × 425 mm (W x D x H)
wire Rilsan coated, with plastic lid, for 15 l waste
bags, steel holder, powder coated white aluminium
RAL 9006, plastic rail clamp, incl. 1 roll of waste
bags 202.2070.0.
Effective width: 300 mm.



205.0008.0 Waste bag holder
280 × 110 × 410 mm (W x D x H)
powder-coated white aluminium (RAL 9006)
sheet steel, with 2 plastic rail clamps, for 15 l waste
bags, incl. 1 roll of waste bags 202.2070.0.
Effective width: 300 mm.

202.2070.0 Roll of spare bags
15 litres, in rolls, 48 pcs,
for 202.3810.0, 202.3910.0,
202.0008.0, 205.0007.0 and 205.0008.0.



Model No. Description

205.2100.0 Refuse container
 420 × 175 × 410 mm (W x D x H)
 powder-coated white aluminium RAL 9006 sheet steel,
 volume 18 litres, with 2 plastic rail clamps. Protruding
 lid can be opened by knee.
 Effective width: 420 mm.



205.1550.0 Medical waste bin set 1.5 l
 20 polypropylene boxes with red lid,
 SST 18/10 holder and rail clamp.
 Effective width: 200 mm.
 (Holders for different systems upon request)

205.1510.0 Holder
 as 205.1550.0, however without boxes.
 Effective width: 200 mm.
 (Holders for different systems upon request)

205.1600.0 Medical waste bin set 1.5 l
 Carton with 100 boxes, without holder.



202.4310.0 Ampule opener Cupfix
 with removable collecting tray and diamond file,
 holder of steel, powder coated white aluminium
 RAL 9006, with plastic clamp.
 Effective width: 170 mm.

varimed®
Multifunctional rail system
Accessories for attachment to accessory rails

Model No. Description



205.0900.0 Disinfectant dispenser
 Height adjustable, for mounting of 500 ml container, with fastening plate made of powder-coated white aluminium RAL 9006 steel plate, main tube 500 mm in length and plastic rail clamp. Effective width: 100 mm.

205.0910.0 Disinfectant dispenser
 Height adjustable, for mounting of 1,000 ml container, with fastening plate made of powder-coated white aluminium RAL 9006 steel plate, main tube 500 mm in length and plastic rail clamp. Effective width: 100 mm.

Illustration incl. drip-catcher 205.1050.0/205.1060.0



205.0920.0 Disinfectant dispenser
 For mounting of 500 ml container, with fastening plate made of powder-coated white aluminium RAL 9006 steel plate and plastic rail clamp. Effective width: 100 mm.

205.0930.0 Disinfectant dispenser
 For mounting of 1,000 ml container, with fastening plate made of powder-coated white aluminium RAL 9006 steel plate and plastic rail clamp. Effective width: 100 mm.



205.1050.0 Drip-catcher
 Made of SST 18/10, for 500 ml disinfection dispenser.

205.1060.0 Drip-catcher
 Made of SST 18/10, for 1,000 ml disinfection dispenser.

Model No. Description



205.1910.0 Holder for gloves dispenser
SST 18/10, with 2 plastic rail clamps for mounting to accessory rail, for all common disposable glove cartons, max. 3 cartons. Width adjustable from 215 to 255 mm, depth adjustable from 65 to 90 mm, height 400 mm. Effective width: 400 mm.



205.1930.0 Holder for gloves dispenser
260 × 400 × 93 mm (W x D x H), not adjustable, SST 18/10, with 2 plastic clamps 205.0760.0 for side rail attachment. Effective width: 400 mm when mounted horizontally.



202.5210.0 Holder for gloves dispenser
100 × 150 × 280 × 35 mm (W x D x H) adjustable, for all common disposable glove cartons, made of steel powder-coated white aluminium (RAL 9006), with plastic rail clamp. Effective width: 100 to approx. 165 mm depending on the carton size. (w/o gloves)

varimed®
Multifunctional rail system
Accessories for attachment to accessory rails

Model No. Description



205.1750.0 Catheter basket
150 × 100 × 480 mm (W x D x H), SST 18/10,
with two hooks to hang onto accessory rail.
Effective width: 150 mm.



205.1700.0 Basket
300 × 200 × 200 mm (W x D x H), SST 18/10,
with two hooks, to hang onto accessory rail.
Effective width: 300 mm.



205.1710.0 Basket
300 × 200 × 100 mm (W x D x H), SST 18/10,
with two hooks, to hang onto accessory rail.
Effective width: 300 mm.



Model No. Description

205.2200.0 Oxygen tank holder

powder-coated white aluminium RAL 9006 sheet steel, with plastic rail clamp, for tanks of up to 5 litres, with fixing strap.
Effective width: 150 mm.

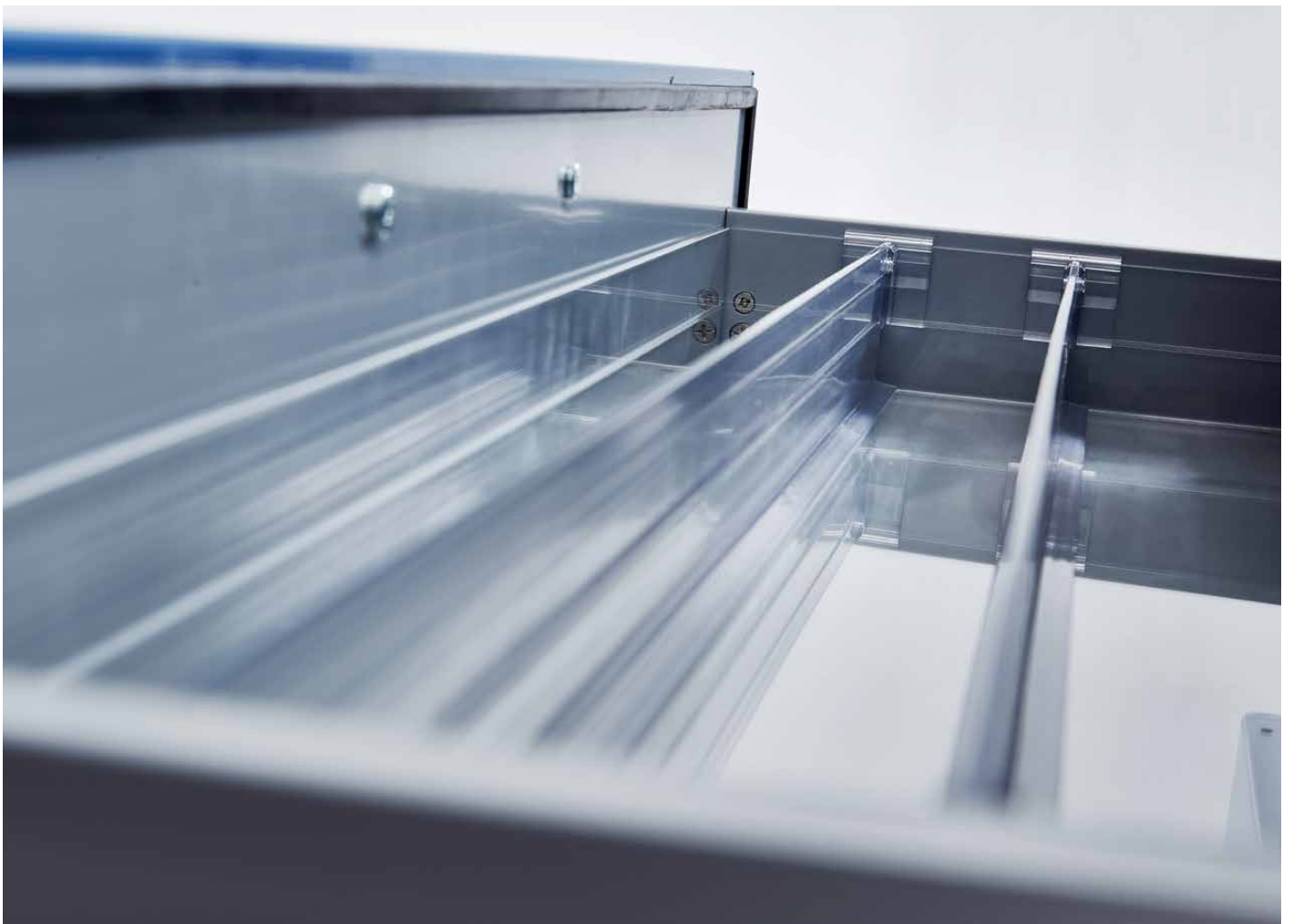


202.4450.0 Collector

250 × 300 × 150 mm (L x H x D) for excision forceps, of SST 18/10 with holder, for attachment to accessory rail.

202.4510.0 Endoscope holder

incl. 2 plastic clamps for mounting to accessory rails.
(requires 2 pcs accessory rails,
Length = 1.30 m fixed, extendable to 2.10 m)



varimed® Individual clamps for add-on orders

Model No. Description

205.0600.0 Clamp 2-part
Made of plastic to be mounted onto the main tube, for attachment of the accessory rails 205.0500.0 to 205.0540.0.



205.0610.0 Accessory rail clamp
Plastic, with star handle.

205.0700.0 Clamp
Plastic, with star handle.



205.0750.0 Rail clamp
Plastic, with star handle, slip on version, for assembly of equipment.



205.0760.0 Rail clamp
Plastic, with star handle, clip on version, for assembly of equipment.



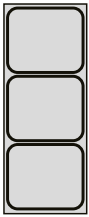
varimed®

Drawer dividers

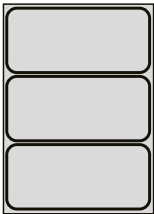
Polystyrene tray with fixed compartments

Model No. Description

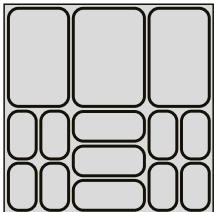
202.8500.0 Drawer divider
closed tray and 3 compartments made of polystyrene,
204 × 481 × 70 mm (W x D x H), for drawers type 3 D.



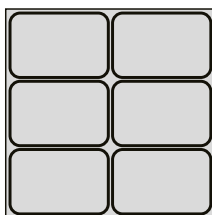
202.8520.0 Drawer divider
closed tray and 3 compartments made of polystyrene,
354 × 481 × 70 mm (W x D x H), for drawers type 4 D.



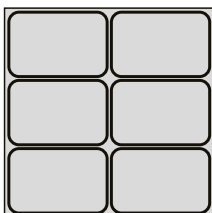
202.8540.0 Drawer divider
closed tray and 14 compartments made of polystyrene,
504 × 481 × 44 mm (W x D x H), for drawers type 6 B.



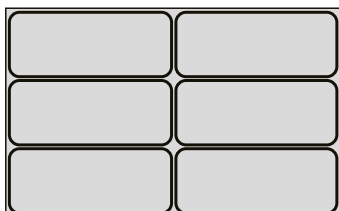
Model No. Description



202.8550.0 Drawer divider
closed tray and 6 compartments made of polystyrene,
504 × 481 × 44 mm (W x D x H), for drawers type 6 B.



202.8560.0 Drawer divider
closed tray and 6 compartments made of polystyrene,
504 × 481 × 70 mm (W x D x H), for drawers type 6 D.



202.8590.0 Drawer divider
closed tray and 6 compartments made of polystyrene,
804 × 481 × 70 mm (W x D x H), for drawers type 9 D.

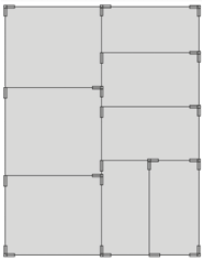
varimed®
Drawer dividers
Aluminium frame w/o bottom

Model No. Description



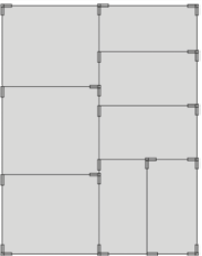
202.8800.0 Drawer dividers

198 × 476 × 55 mm (W x D x H), for drawer type 3 D, disassembled, anodised aluminium frame, consisting of:
 2 pcs 2025982 aluminium rails, longitudinal 471 × 55 mm
 2 pcs 2025887 aluminium rails, transverse 181 × 55 mm
 2 pcs 2025895 connecting clips, SAN 20/35 right
 2 pcs 2025896 connecting clips, SAN 20/35 left
 subdividers consisting of:
 6 pcs 2025887 aluminium rails, transverse 181 × 55 mm
 6 pcs 2025895 connecting clips, SAN 20/35 right
 6 pcs 2025896 connecting clips, SAN 20/35 left



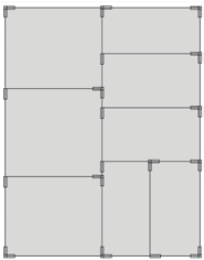
202.8820.0 Drawer dividers

350 × 476 × 35 mm (W x D x H), for drawer type 4 B, disassembled, anodised aluminium frame, consisting of:
 2 pcs 2025883 aluminium rails, longitudinal 454 × 35 mm
 2 pcs 2025888 aluminium rails, transverse 350 × 35 mm
 2 pcs 2025895 connecting clips, SAN 20/35 right
 2 pcs 2025896 connecting clips, SAN 20/35 left
 subdividers consisting of:
 1 pc 2025883 aluminium rail, longitudinal 454 × 35 mm
 1 pc 2025895 connecting clip, SAN 20/35 right
 1 pc 2025896 connecting clip, SAN 20/35 left
 6 pcs 2025902 subdividers, SAN 160 × 35 mm
 6 pcs 2025895 connecting clips, SAN 20/35 right



202.8830.0 Drawer dividers

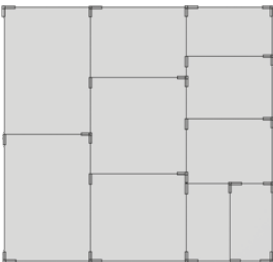
350 × 476 × 55 mm (W x D x H), for drawer type 4 D, disassembled, anodised aluminium frame, consisting of:
 2 pcs 2025884 aluminium rails, longitudinal 454 × 55 mm
 2 pcs 2025889 aluminium rails, transverse 350 × 55 mm
 2 pcs 2025897 connecting clips, SAN 45/55 right
 2 pcs 2025898 connecting clips, SAN 45/55 left
 subdividers consisting of:
 1 pc 2025884 aluminium rail, longitudinal 454 × 55 mm
 1 pc 2025897 connecting clip, SAN 45/55 right
 1 pc 2025898 connecting clip, SAN 45/55 left
 6 pcs 2025903 subdividers, SAN 160 × 55 mm
 6 pcs 2025895 connecting clips, SAN 20/35 right



Model No. Description

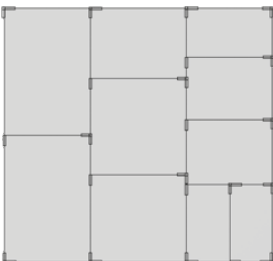
202.8840.0 Drawer dividers

350 × 476 × 100 mm (W x D x H), for drawer type 4 G, disassembled, anodised aluminium frame, consisting of:
 2 pcs 2025885 aluminium rails, longitudinal 454 × 100 mm
 2 pcs 2025890 aluminium rails, transverse 350 × 100 mm
 2 pcs 2025897 connecting clips, SAN 45/55 right
 2 pcs 2025898 connecting clips, SAN 45/55 left
 subdividers consisting of:
 1 pc 2025885 aluminium rail, longitudinal 454 × 100 mm
 1 pc 2025897 connecting clip, SAN 45/55 right
 1 pc 2025898 connecting clip, SAN 45/55 left
 6 pcs 2025904 subdividers, SAN 160 × 100 mm
 6 pcs 2025895 connecting clips, SAN 20/35 right



202.8850.0 Drawer dividers

498 × 476 × 35 mm (W x D x H), for drawer type 6 B, disassembled, anodised aluminium frame, consisting of:
 2 pcs 2025883 aluminium rails, longitudinal 454 × 35 mm
 2 pcs 2025891 aluminium rails, transverse 498 × 35 mm
 2 pcs 2025895 connecting clips, SAN 20/35 right
 2 pcs 2025896 connecting clips, SAN 20/35 left
 subdividers consisting of:
 2 pcs 2025883 aluminium rails, longitudinal 454 × 35 mm
 2 pcs 2025895 connecting clips, SAN 20/35 right
 2 pcs 2025896 connecting clips, SAN 20/35 left
 7 pcs 2025899 subdividers, SAN 150 × 35 mm
 7 pcs 2025895 connecting clips, SAN 20/35 right

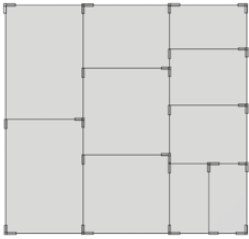


202.8860.0 Drawer dividers

498 × 476 × 55 mm (W x D x H), for drawer type 6 D, disassembled, anodised aluminium frame, consisting of:
 2 pcs 2025884 aluminium rails, longitudinal 454 × 55 mm
 2 pcs 2025892 aluminium rails, transverse 498 × 55 mm
 2 pcs 2025897 connecting clips, SAN 45/55 right
 2 pcs 2025898 connecting clips, SAN 45/55 left
 subdividers consisting of:
 2 pcs 2025884 aluminium rails, longitudinal 454 × 55 mm
 2 pcs 2025897 connecting clips, SAN 45/55 right
 2 pcs 2025898 connecting clips, SAN 45/55 left
 7 pcs 2025900 subdividers, SAN 150 × 55 mm
 7 pcs 2025895 connecting clips, SAN 20/35 right

varimed®
Drawer dividers
Aluminium frame w/o bottom

Model No. Description



202.8870.0 Drawer dividers

498 × 476 × 100 mm (W x D x H), for drawer type 6 G, disassembled, anodised aluminium frame, consisting of:
 2 pcs 2025885 aluminium rails, longitudinal 454 × 100 mm
 2 pcs 2025893 aluminium rails, transverse 498 × 100 mm
 2 pcs 2025897 connecting clips, SAN 45/55 right
 2 pcs 2025898 connecting clips, SAN 45/55 left
 subdividers consisting of:
 2 pcs 2025885 aluminium rails, longitudinal 454 × 100 mm
 2 pcs 2025897 connecting clips, SAN 45/55 right
 2 pcs 2025898 connecting clips, SAN 45/55 left
 7 pcs 2025901 subdividers, SAN 150 × 100 mm
 7 pcs 2025895 connecting clips, SAN 20/35 right



202.8880.0 Drawer dividers

798 × 476 × 55 mm (W x D x H), for drawer type 9 D, disassembled, anodised aluminium frame, consisting of:
 2 pcs 2025982 aluminium rails, longitudinal 471 × 55 mm
 2 pcs 2025894 aluminium rails, transverse 781 × 55 mm
 2 pcs 2025897 connecting clips, SAN 45/55 right
 2 pcs 2025898 connecting clips, SAN 45/55 left
 subdividers consisting of:
 3 pcs 2025894 aluminium rails, transverse 781 × 55 mm
 3 pcs 2025897 connecting clips, SAN 45/55 right
 3 pcs 2025898 connecting clips, SAN 45/55 left
 3 pcs 2025905 subdividers, SAN 170 × 55 mm
 3 pcs 2025895 connecting clips, SAN 20/35 right



202.8982.0 Drawer dividers

798 × 476 × 100 mm (W x D x H), for drawer type 9G, disassembled, anodised aluminium frame, consisting of:
 3 pcs 2043270 aluminium rails, transverse 781 × 100 mm
 3 pcs 2025897 connecting clips, SAN 45/55 right
 3 pcs 2025898 connecting clips, SAN 45/55 left
 3 pcs 2043271 subdividers, SAN 170 × 100 mm
 3 pcs 2025895 connecting clips, SAN 20/35 right

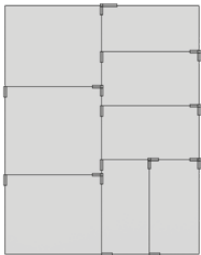
varimed® Drawer dividers, Acrylic tray

Model No. Description



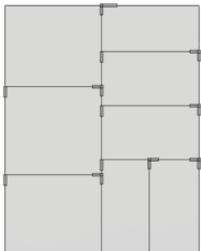
202.8900.0 Drawer dividers

195 × 470 × 55 mm (W x D x H), for drawer type 3 D,
consisting of:
1 pc 2026024 acrylic tray
6 pcs 2025906 subdividers, SAN 176 × 55 mm
6 pcs 2025895 connecting clips, SAN 20/35 right



202.8920.0 Drawer dividers

347 × 471 × 35 mm (W x D x H), for drawer type 4 B,
consisting of:
1 pc 2026025 acrylic tray
1 pc 2025907 subdivider, SAN 446 × 35 mm
6 pcs 2025902 subdividers, SAN 160 × 35 mm
7 pcs 2025895 connecting clips, SAN 20/35 right

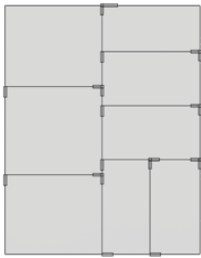


202.8930.0 Drawer dividers

347 × 471 × 55 mm (W x D x H), for drawer type 4 D,
consisting of:
1 pc 2026026 acrylic tray
1 pc 2025908 subdivider, SAN 446 × 55 mm
6 pcs 2025903 subdividers, SAN 160 × 55 mm
7 pcs 2025895 connecting clips, SAN 20/35 right

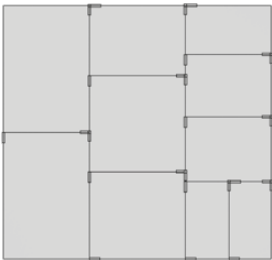
varimed®
Drawer dividers,
Acrylic tray

Model No. Description



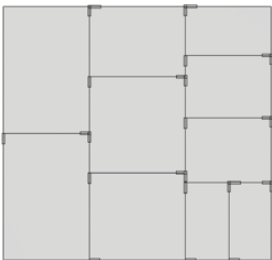
202.8940.0 Drawer dividers

347 × 471 × 100 mm (W x D x H), for drawer type 4 G,
 consisting of:
 1 pc 2026027 acrylic tray
 1 pc 2025909 acrylic subdivider 443 × 100 mm
 1 pc 2025897 connecting clip, SAN 45/55 right
 1 pc 2025898 connecting clip, SAN 45/55 left
 6 pcs 2025904 subdividers, SAN 160 × 100 mm
 6 pcs 2025895 connecting clips, SAN 20/35 right



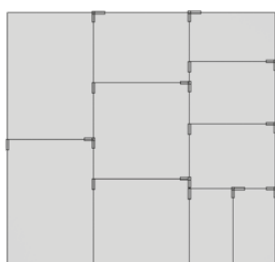
202.8950.0 Drawer dividers

495 × 471 × 35 mm (W x D x H), for drawer type 6 B,
 consisting of:
 1 pc 2026028 acrylic tray
 2 pcs 2025907 subdividers, SAN 446 × 35 mm
 7 pcs 2025899 subdividers, SAN 150 × 35 mm
 9 pcs 2025895 connecting clips, SAN 20/35 right



202.8960.0 Drawer dividers

495 × 471 × 55 mm (W x D x H), for drawer type 6 D,
 consisting of:
 1 pc 2026029 acrylic tray
 2 pcs 2025908 subdividers, SAN 446 × 55 mm
 2 pcs 2025897 connecting clips, SAN 45/55 right
 7 pcs 2025900 subdividers, SAN 150 × 55 mm
 7 pcs 2025895 connecting clips, SAN 20/35 right



Model No. Description

202.8970.0 Drawer dividers

495 × 471 × 100 mm (W x D x H), for drawer type 6 G,
consisting of:

- 1 pc 2026030 acrylic tray
- 2 pcs 2025909 acrylic subdividers 443 × 100 mm
- 2 pcs 2025897 connecting clips, SAN 45/55 right
- 2 pcs 2025898 connecting clips, SAN 45/55 left
- 7 pcs 2025904 subdividers, SAN 160 × 100 mm
- 7 pcs 2025895 connecting clips, SAN 20/35 right

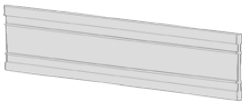


202.8980.0 Drawer dividers

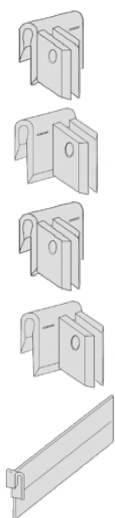
795 × 471 × 55 mm (W x D x H), for drawer type 9 D,
consisting of:

- 1 pc 2026031 acrylic tray
- 3 pcs 2025910 subdividers, PVC 773 × 55 mm
- 3 pcs 2025897 connecting clips, SAN 45/55 right
- 3 pcs 2025898 connecting clips, SAN 45/55 left
- 3 pcs 2025905 subdividers, SAN 170 × 55 mm
- 3 pcs 2025895 connecting clips, SAN 20/35 right

varimed®
Individual components for drawer dividers
with aluminium frame

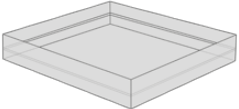
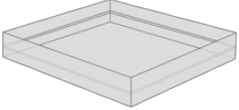
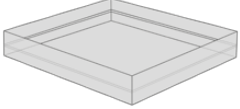
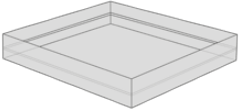
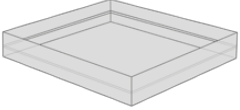
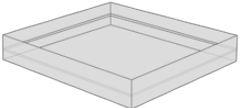
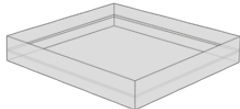
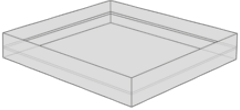
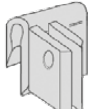

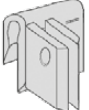
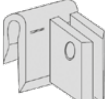


Model No.	Description
2025883	Aluminium rail, longitudinal 454 × 35 mm, 2 pcs
2025884	Aluminium rail, longitudinal 454 × 55 mm, 2 pcs
2025885	Aluminium rail, longitudinal 454 × 100 mm
2025982	Aluminium rail, longitudinal 471 × 55 mm, 2 pcs
2025887	Aluminium rail, transverse 181 × 55 mm, 4 pcs
2025888	Aluminium rail, transverse 350 × 35 mm, 2 pcs
2025889	Aluminium rail, transverse 350 × 55 mm, 2 pcs
2025890	Aluminium rail, transverse 350 × 100 mm
2025891	Aluminium rail, transverse 498 × 35 mm, 2 pcs
2025892	Aluminium rail, transverse 498 × 55 mm, 2 pcs
2025893	Aluminium rail, transverse 498 × 100 mm
2025894	Aluminium rail, transverse 781 × 55 mm
2043270	Aluminium rail, transverse 781 × 100 mm

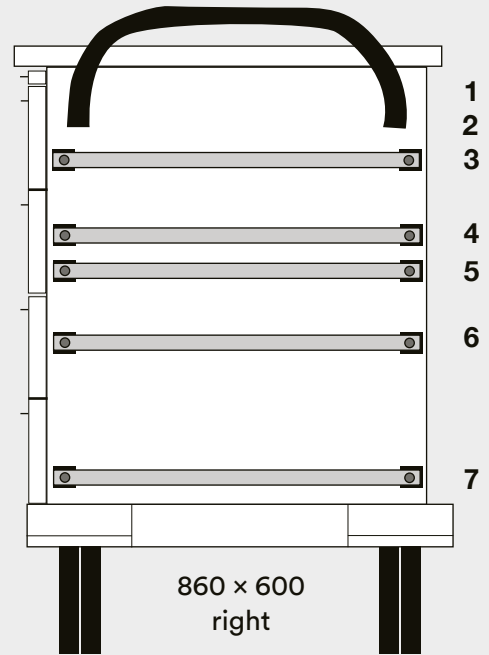
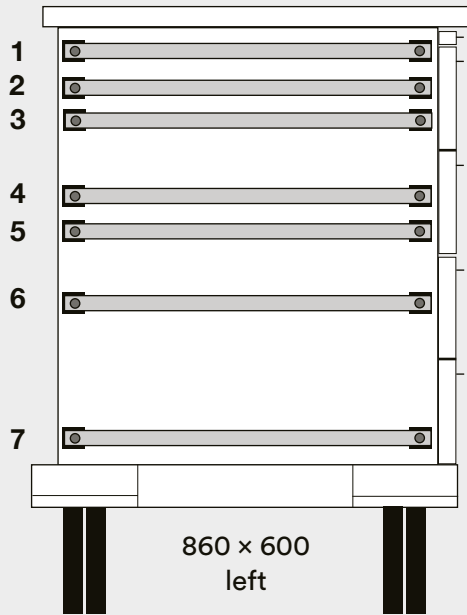


Model No.	Description
2025895	Connecting clip SAN 20/35 right, 5 pcs
2025896	Connecting clip SAN 20/35 left, 5 pcs
2025897	Connecting clip SAN 45/55 right, 5 pcs
2025898	Connecting clip SAN 45/55 left, 5 pcs
2025899	Subdividers SAN 150 × 35 mm, 4 pcs
2025900	Subdividers SAN 150 × 55 mm, 4 pcs
2025901	Subdividers SAN 150 × 100 mm, 2 pcs
2025902	Subdividers SAN 160 × 35 mm, 4 pcs
2025903	Subdividers SAN 160 × 55 mm, 4 pcs
2025904	Subdividers SAN 160 × 100 mm, 2 pcs
2025905	Subdividers SAN 170 × 55 mm, 4 pcs
2043271	Subdividers SAN 170 × 100 mm, 1 pc.

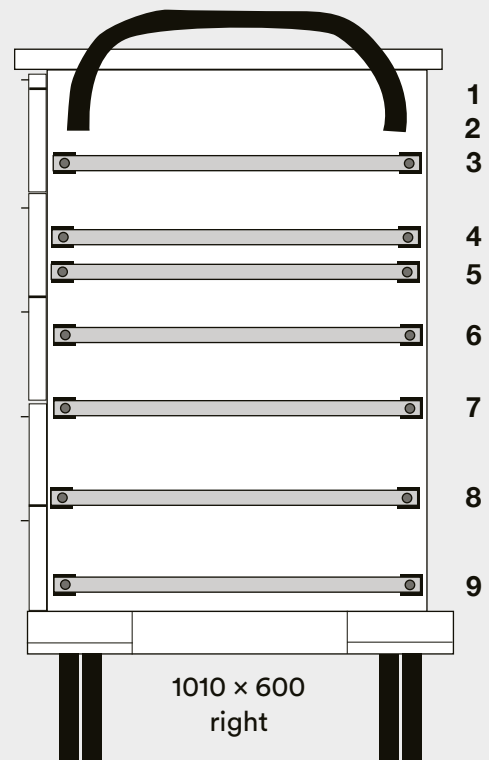
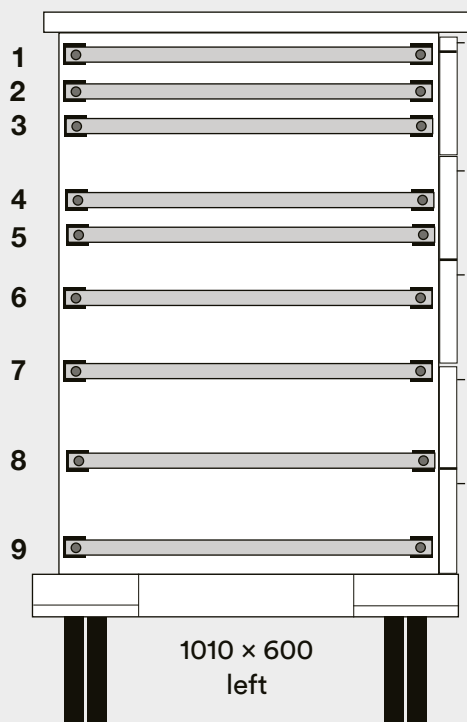
varimed®
Individual components
for dividers with acrylic tray

Model No.	Description
 2026024	Acrylic tray for drawer dividers 202.8900.0
 2026025	Acrylic tray for drawer dividers 202.8920.0
 2026026	Acrylic tray for drawer dividers 202.8930.0
 2026027	Acrylic tray for drawer dividers 202.8940.0
 2026028	Acrylic tray for drawer dividers 202.8950.0
 2026029	Acrylic tray for drawer dividers 202.8960.0
 2026030	Acrylic tray for drawer dividers 202.8970.0
 2026031	Acrylic tray for drawer dividers 202.8980.0
 2025895	Connecting clip SAN 20/35 right, 5 pcs
 2025896	Connecting clip SAN 20/35 left, 5 pcs
 2025897	Connecting clip SAN 45/55 right, 5 pcs
 2025898	Connecting clip SAN 45/55 left, 5 pcs

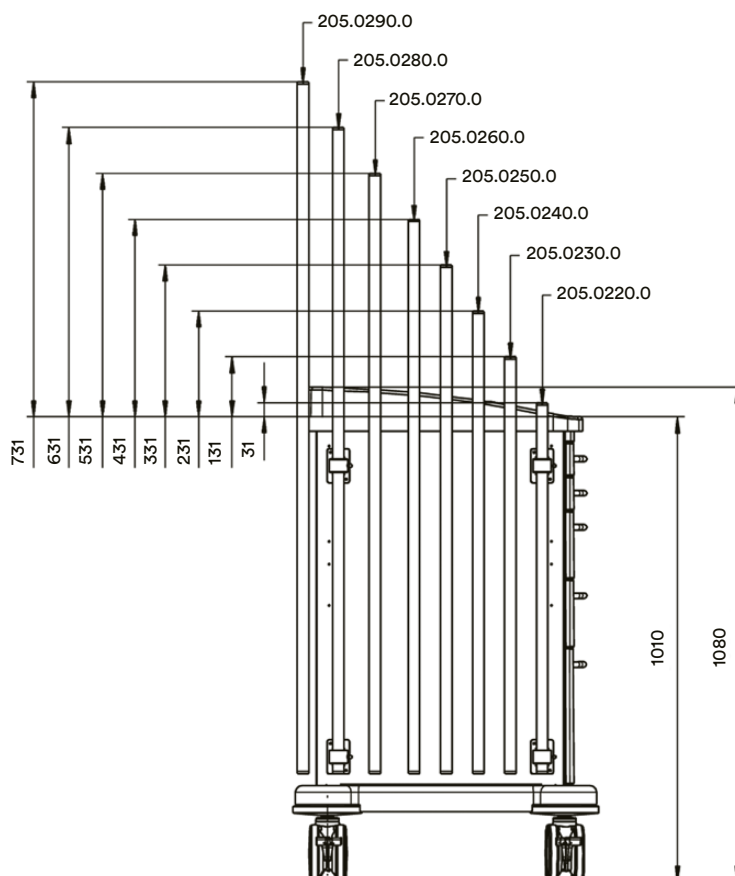
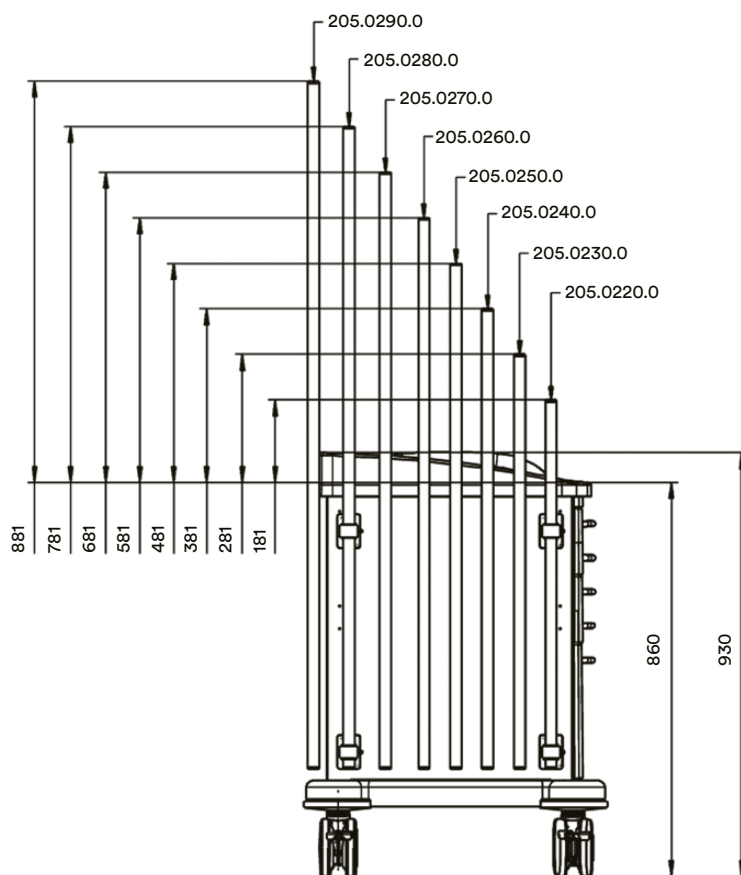
Model No.	Description
2025899	Subdividers SAN 150 × 35 mm, 4 pcs
2025900	Subdividers SAN 150 × 55 mm, 4 pcs
2025902	Subdividers SAN 160 × 35 mm, 4 pcs
2025903	Subdividers SAN 160 × 55 mm, 4 pcs
2025904	Subdividers SAN 160 × 100 mm, 2 pcs
2025905	Subdividers SAN 170 × 55 mm, 4 pcs
2025906	Subdividers SAN 176 × 55 mm, 2 pcs
2025907	Subdividers SAN 446 × 35 mm, 2 pcs
2025908	Subdividers SAN 446 × 55 mm, 2 pcs
2025909	Acrylic subdividers 443 × 100 mm, 2 pcs
2025910	Subdivider PVC 773 × 55 mm



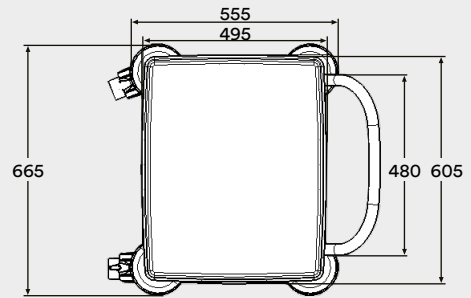
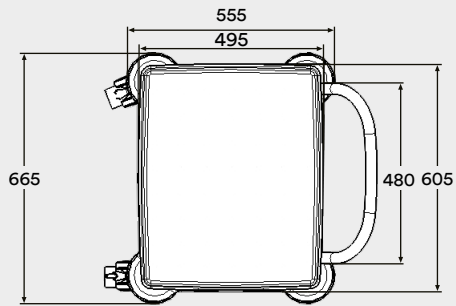
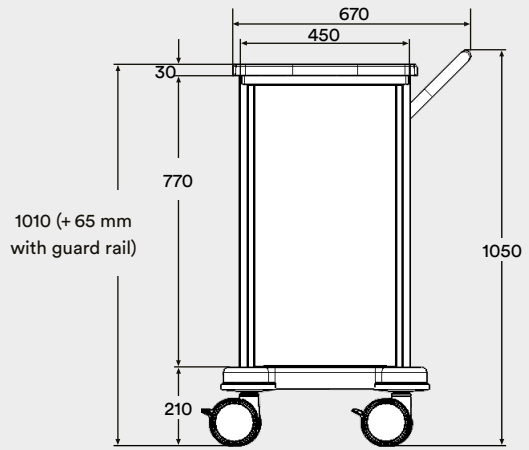
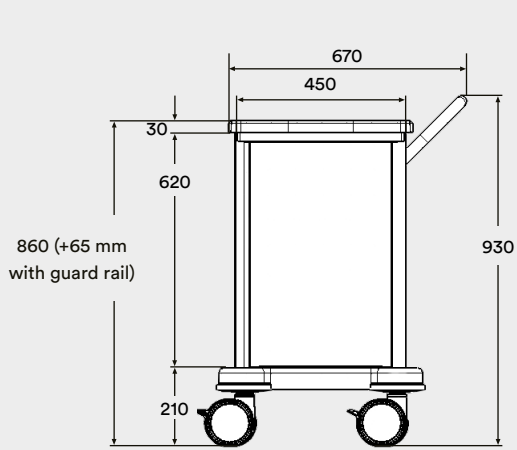
Possible positions of side rails for trolleys of 860 mm height



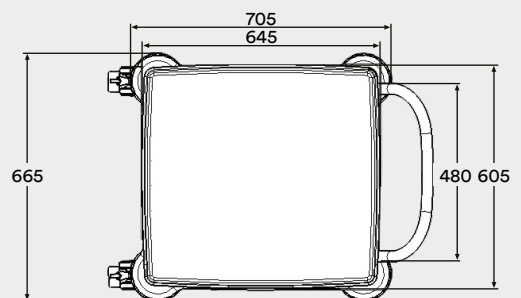
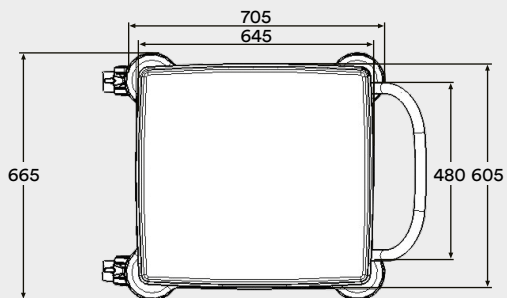
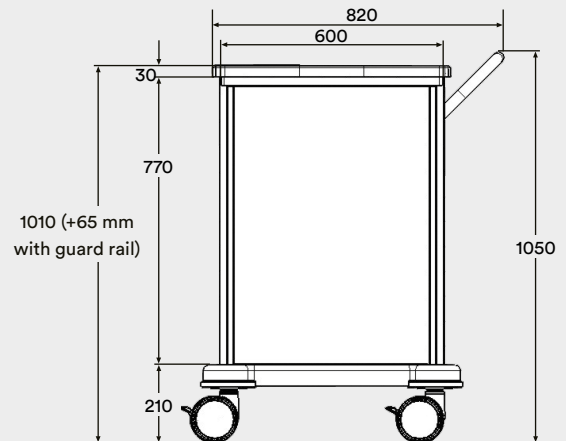
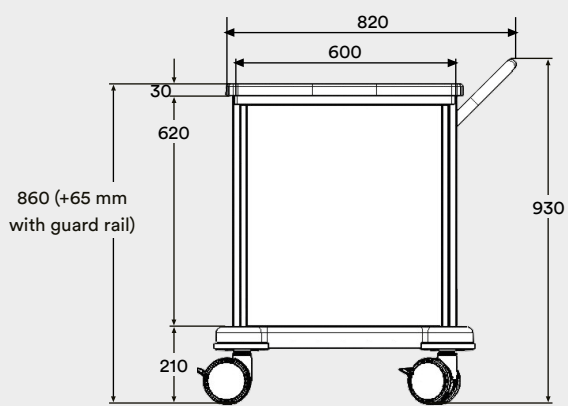
Possible positions of side rails for trolleys of 1,010 mm height



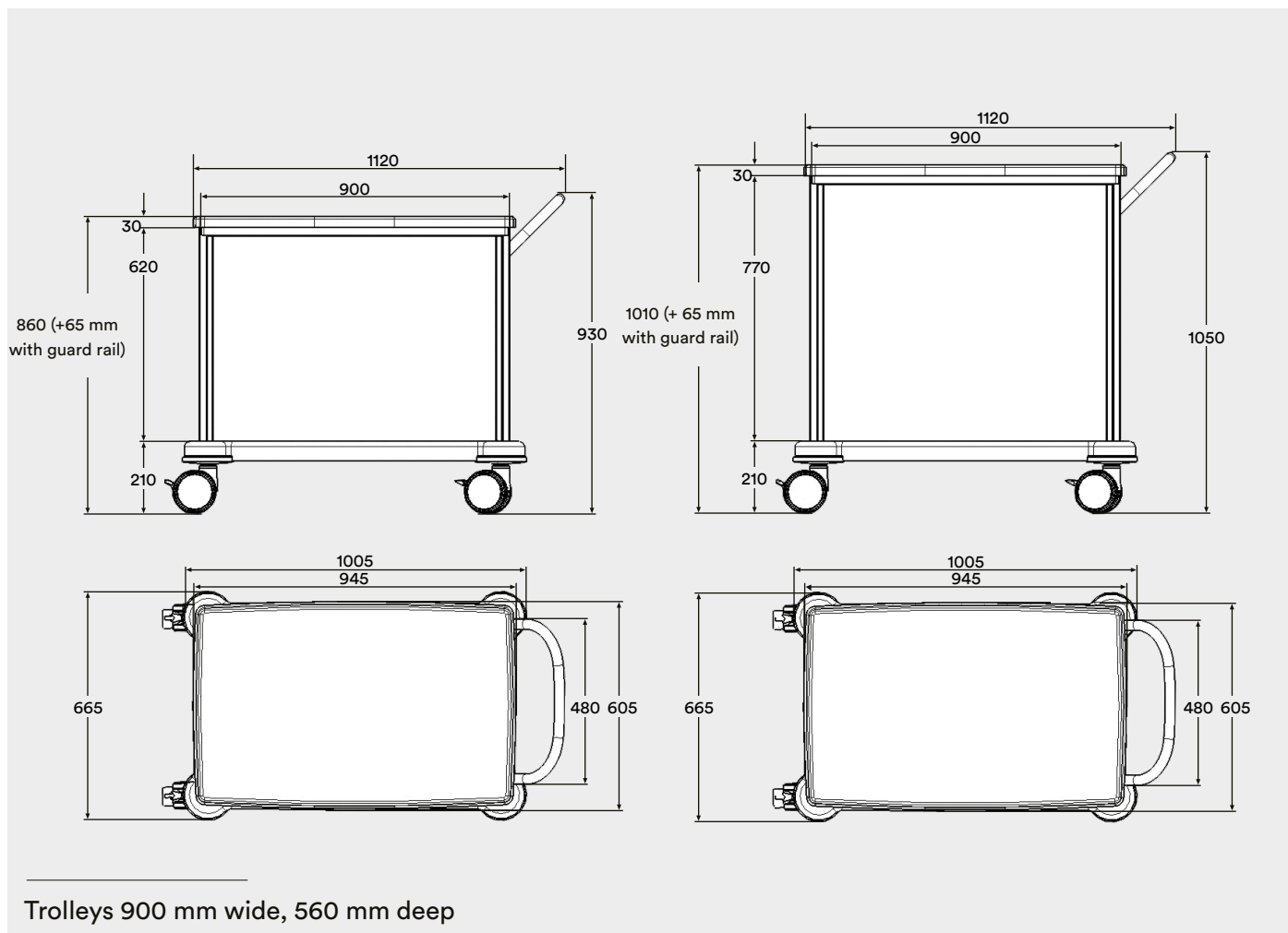
Length of basic tubes in relation to trolley height

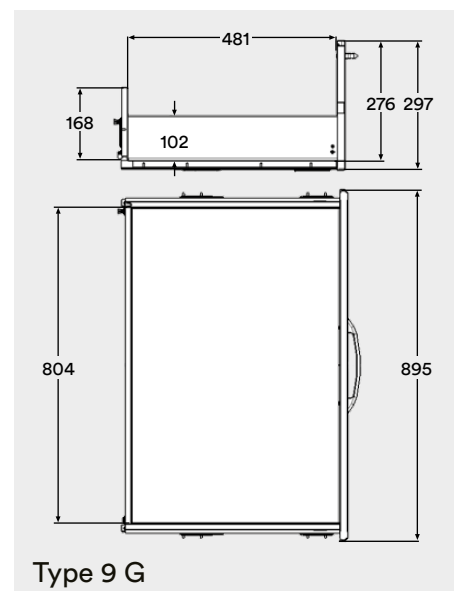
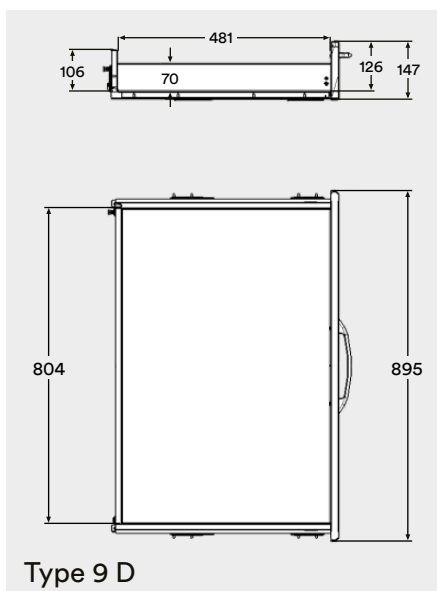
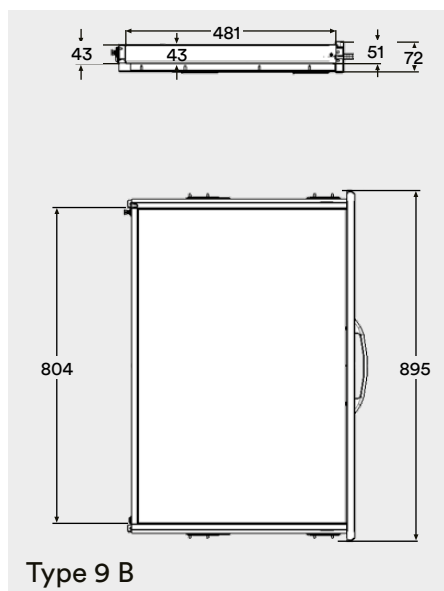
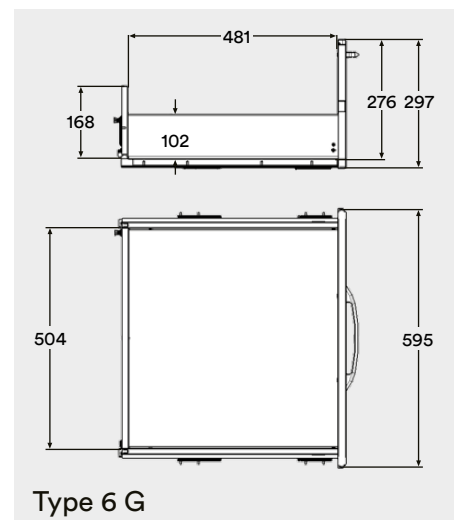
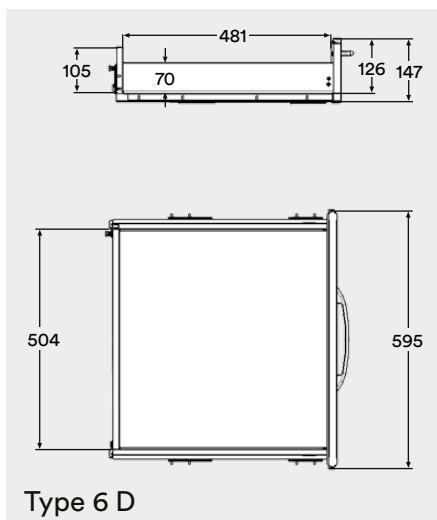
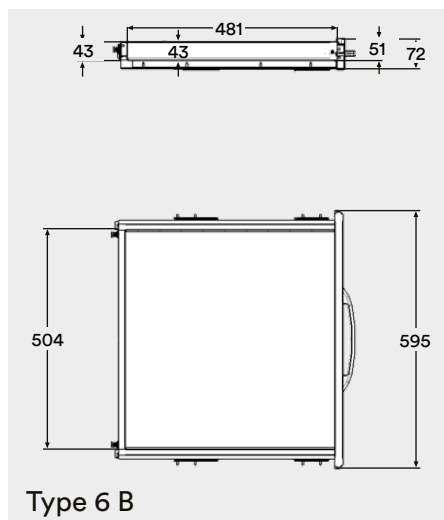
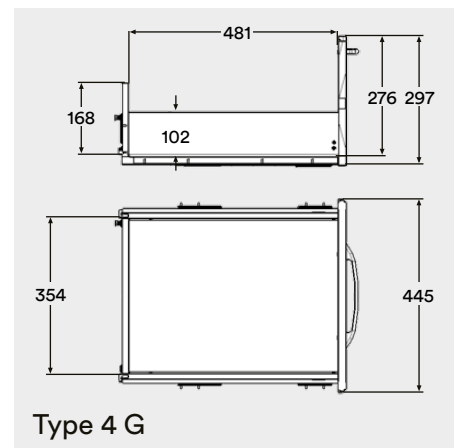
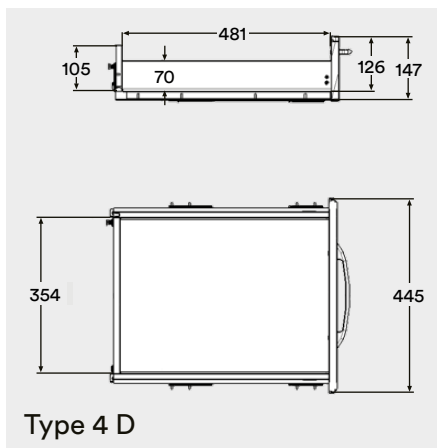
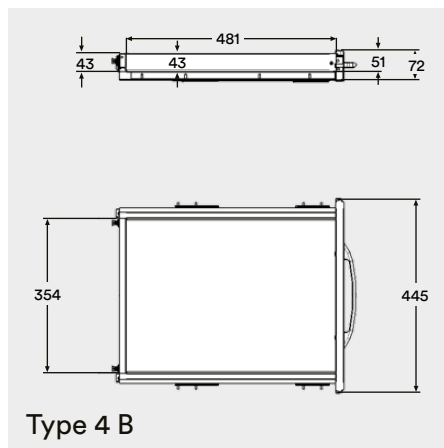
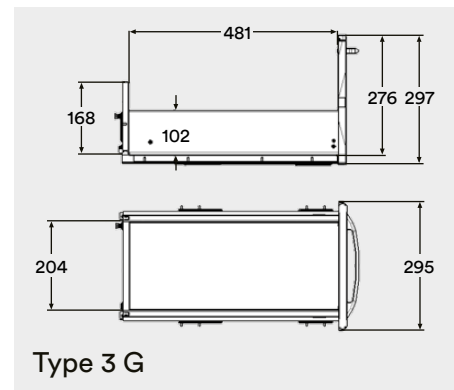
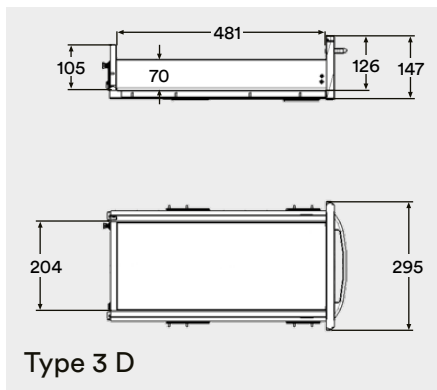


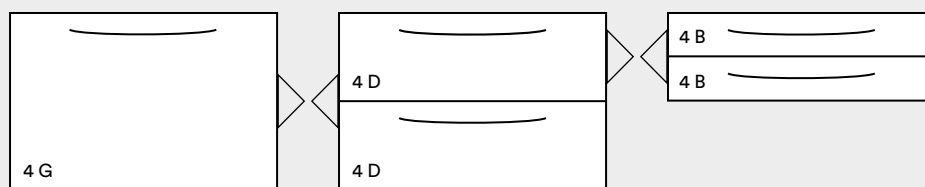
Trolleys 450 mm wide, 560 mm deep



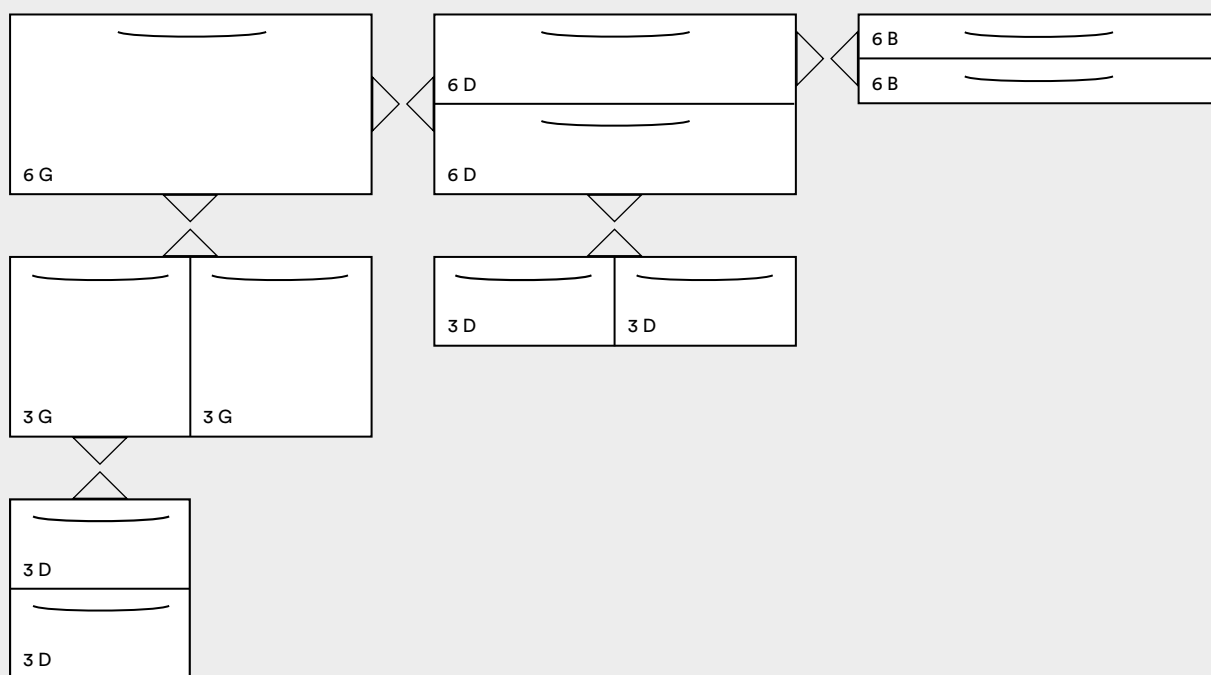
Trolleys 600 mm wide, 560 mm deep



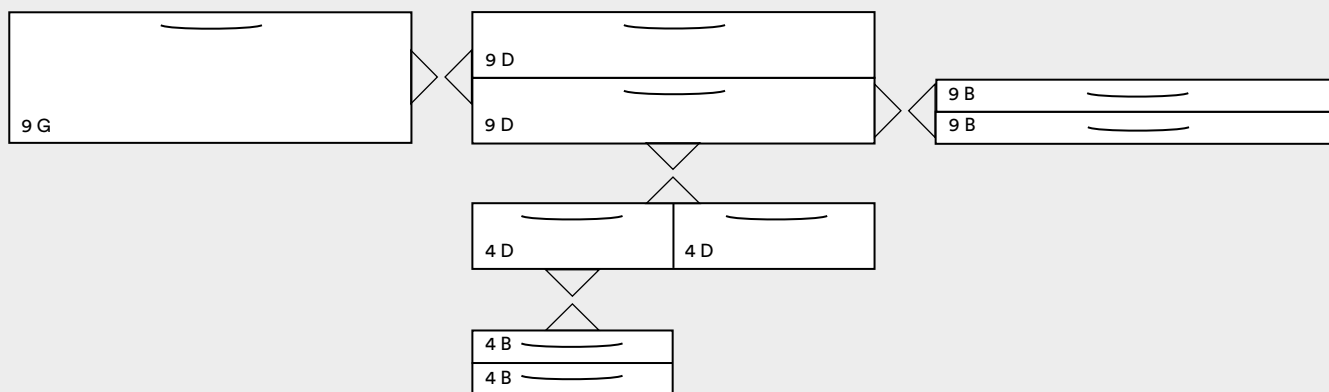




Drawer front Type 4G, 450 mm wide, 300 mm high

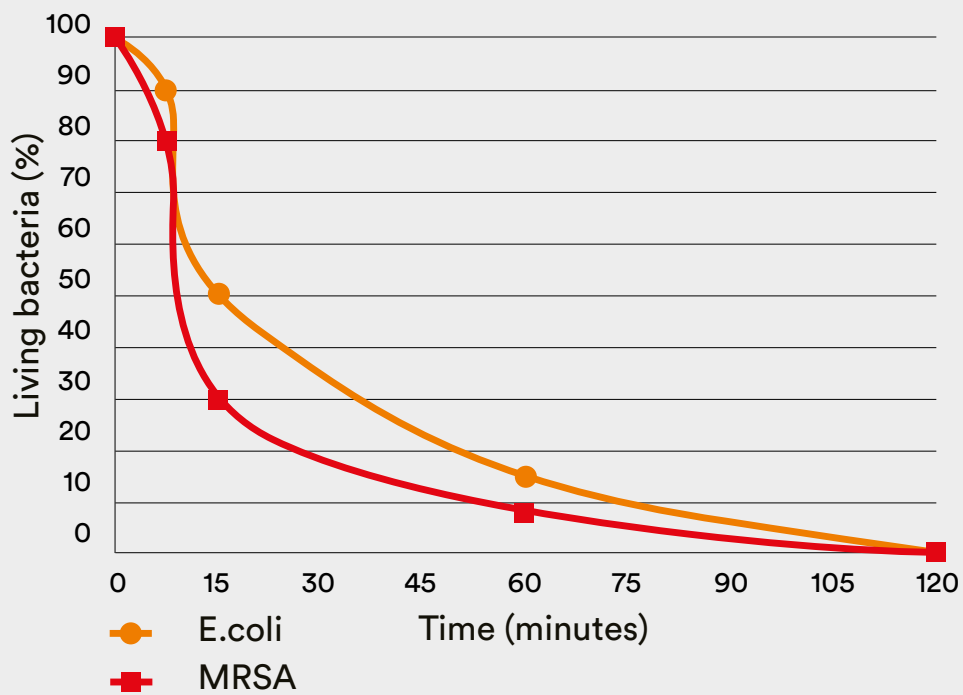


Drawer front Type 6G, 600 mm wide, 300 mm high



Drawer front Type 9G, 900 mm wide, 300 mm high

Percentage of reduction of MRSA and E.coli on a protected surface (ISO 22196:2011)



Microbes have a very long stability on untreated surfaces:

Microbe	Durability
MRSA	up to 7 months
Salmonella	14 days
Aspergillus niger	spores survive for years
E.coli	up to 16 months

varimed® Functional trolleys

Antimicrobial coating

The antimicrobial coating ensures effective and long-lasting reduction of bacteria, mould and fungi colonisation.

Because of the antimicrobial coating, certain germs are reduced to up to 80% after 15 min and up to 99% within the first two hours.

It inhibits growth of a wide spectrum of microorganisms:

- MRSA
- E.coli
- Salmonella
- Legionella
- Aspergillus Niger

The anti-microbial coating has been tested to ISO 22196:2011 to substantiate the reduction of microbes. Only coatings with a minimum reduction of 95 per cent are approved.

For further information please visit www.biocote.com.

varimed® Functional trolleys

Order information and material description

Order information

The following information is required:

Table top	Plastic, silver grey with or without guard rail, inserted SST 18/10 plate or stainless steel plate with or without guard rail Standard version: see item description of the respective functional trolley
Trolley body	RAL 9002, RAL 9006, RAL 9007 (standard) or at extra charge acc. to our colour chart.
Drawer and/or door fronts	acc. to our colour chart
Bar handles	acc. to our colour chart or matt chromium plated
Guiding bar	acc. to our colour chart <ul style="list-style-type: none"> • straight or curved version • mounting on right or left side • without guiding bar <p>Standard version: curved guiding bar mounted on right side</p>

Cabinet

Self-supporting full-metal sandwich construction, double-wall design, sound damped, thermal protection insulated, high stiffness, smooth inner and outer surfaces. The total load capacity (including mounting parts) distributed across a functional trolley is 100 kg (60 kg for a 450 mm wide trolley).

Drawers

Replaceable fronts made of electrolytically galvanized and phosphatized steel plate, with rounded corners and edges, sound damped and thermal protection with surrounding silicone sealing strip. Drawers made of electrolytically galvanized and phosphatized steel plate, powder-coated white aluminium RAL 9006. Concealed low-noise drawer slides with full pullout function, automatic pull-in function and Airmatic damping, high retention force, tool-free drawer removal.

Safe working load: 20 kg.

A surcharge applies to drawer configurations that vary from the functional trolleys illustrated in this catalogue.

This surcharge is calculated once according to the individually customised drawer configuration; the number of functional trolleys in this new configuration is irrelevant.

Doors

Made of electrolytic galvanized and phosphatized steel plate, with rounded corners and edges, sound damped and thermal protection with surrounding silicone sealing strip. 125° opening, SST 18/10 hinges, magnetic catch.

Bar handles

Zinc diecast, the surface is chemical resistant, easy to clean and easy to disinfect. Mounting holes distance 192 mm.

Table tops

Jointless table top made of ABS, colour silver grey, with raised edge and/or guard rail, underside sealed, optionally made of SST 18/10.
Safe working load: 50 kg.

Guiding bar

Ergonomic guiding bar, powder-coated according to colour chart.

Castors

4 closed double easy-roll castors Ø 125 mm, ball bearing, 2 electroconductive castors with full lock, 1 swivel-type castor and 1 with directional locking, non-staining and resistant to abrasions. Revolving bumpers Ø 150 mm, ABS frame cover, colour silver grey.

Powder coated finishes

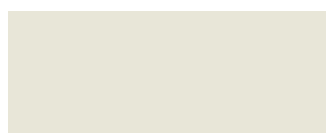
High quality multilayer gloss paint, extremely durable and scratch resistant. Easy to clean. Resistant to climatic conditions and disinfectants.

Standard finish for trolley body in grey white, RAL 9002, white aluminium RAL 9006 or grey aluminium RAL 9007. All SCHMITZ colours are available for doors, drawer fronts, guide bar and bar handles, without additional charge.

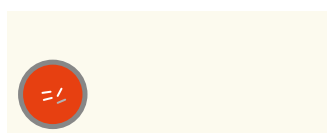
Surcharge for trolley body finishes according to SCHMITZ colour chart.

Further special powder coated finishes on request.

Powder coated finishes



grey white
RAL 9002



pure white
RAL 9010



alabaster grey
RAL 0007500¹



light grey
RAL 7035



anthracite grey
RAL 7016



jet black
RAL 9005



white aluminium
RAL 9006



grey aluminium
RAL 9007



colza yellow
RAL 1009050¹



signal yellow
RAL 1003



pastel orange
RAL 2003



light ivory
RAL 1015



sahara beige
RAL 0607030¹



antique pink
RAL 3014



heather violet
RAL 4003



vermilion
RAL 2002



light green
RAL 6027



lemon green
RAL 1008060¹



leaf green
RAL 1206050¹



Bar handles also available
matt chrome plated.



white blue
RAL 2408015¹



light blue
RAL 2606030¹



sapphire blue
RAL 5003



Plastic elements
silver-grey



antimicrobial
These colours have antimicrobial properties

Colours for upholsteries and plastic enamel coatings

Discover new, colourful worlds

With a total of 19 upholstery colours and 22 colours for powder-coated finish, you have many options to create colourful highlights in your surgery.

Whether muted or cheerful, classic or modern, elegant or extravagant – with our tool, you will certainly find the right colour for you in no time at all.

We would be delighted to advise you – please feel free to contact us.



Be inspired:
www.schmitz-soehne.com



Contact

SCHMITZ u. Söhne
GmbH & Co. KG
Zum Ostefeld 29
58739 Wickede (Ruhr)

P. O. Box 14 61
58734 Wickede (Ruhr)
Germany

T +49 (0)2377 84 0
F +49 (0)2377 84 162
zentrale@schmitz-soehne.de

Exports department:
T +49 (0)2377 84 0
F +49 (0)2377 84 135
export@schmitz-soehne.de

Technical service, hotline:
T +49 (0)2377 84 549
F +49 (0)2377 84 210
service@schmitz-soehne.de

Information on
our establishments
worldwide can be found
on our website:

www.schmitz-soehne.com



All devices marked with the CE-MD symbol, in combination with our accessories, meet the requirements of Medical Device Regulation 2017/745/EU (MDR) as well as the Medical Device Amendment Act and are risk class 1 medical devices.



All devices marked with the simple CE symbol meet the requirements of low-voltage directive 2014/35/EU as well as the regulation on electrical equipment.

Please also refer to the instructions for use, for more details about the intended use!



* This product is an article of merchandise, sold under OEM brand name.

Our goods and services are to be understood ex works. Deliveries are effected via our authorized partners or branch offices. The company reserves the right to alter the design, construction, dimensions and finish of its products without notice. All relevant dimensions and weights are to be understood as approximate information/data. Due to technical reasons colour deviations are possible. The articles shown in this catalogue are not authorized for sale in the United States.

Nominal charge 3.00 Euro.